

STRUCTURE OF MICROCARD

A01/1 = Structure of microcard

A03/1 = Special features

A23/1 = Disassembly of alternator

B13/1 = Assembly of alternator

N25/1 = Index

N26/1 = Table of contents

N28/1 = Editorial note

Continue: A02/1 Fig.: A01/2

	1		2			
	12345	67890	12345	67890	12345	678
	SIS					
A	XXXXX	XXXXX	XXXXX	XX		
B	XXXXX	XXXXX	XXXXX	XXXXX	XXXXX	XXX
C	XXXXX	XXXXX	XXXXX	XXXXX	XXXXX	XXX
D	XXXXX	XXXXX	XXXXX	XXXXX	XXXXX	XXX
E	XXXXX	XXXXX	XXXXX	XXXXX	XXXXX	XX
F						
G						
H						
J						
K						
L						
M						
N						X XXX
	12345	67890	12345	67890	12345	678
		1		2		

Continue: A02/1

DESCRIPTION OF TROUBLE-SHOOTING  
INSTRUCTIONS

These trouble-shooting instructions are designed to outline the correct procedure to be employed when performing trouble-shooting on alternators.

Continue: KC

DESCRIPTION OF TROUBLE-SHOOTING  
INSTRUCTIONS

User prompting is provided on every page e.g.:

- Continue: B17/1
- Continue: B18/1    Fig.: B17/2
- Yes: B18/1    No: B15/1
- Yes: B17/1    No: B16/1    Fig.: B15/2

.../1 = upper coordinate half

.../2 = lower coordinate half

Continue: A03/1

## SPECIAL FEATURES

This microcard contains repair and test instructions together with the appropriate test specifications for the alternators 0 120 485 0..

KC -> 14V 40-80 A, 40-70 A, 45-80 A,  
45-85 A, 45-90 A, 50-90 A.

Continue: A03/2

## SPECIAL FEATURES

N o t e :

Use was made in compiling these repair and test instructions of the alternator type 0 120 485 ...

The various alternator versions can be seen from the corresponding service-part microcards.

Continue: A04/1

## ELECTRICAL TEST SPECIFICATIONS

Suppression capacitor  
1.8 ...2.6 microfarads

Load current less than/equal to 10 A  
Test speed 6000 min<sup>-1</sup>

Regulator part no.	Type	Regulated voltage (V)
1 197 311 ...		
..211, ..212,	EL 14V .	14.1-14.9

Continue: 1,8...2,6

## ELECTRICAL TEST SPECIFICATIONS

Resistance values

Type KC → 14V	Stator ohms + 10%	Rotor ohms + 10%
40 - 70 A	< 0.1	2.6
40 - 80 A	< 0.1	2.6
45 - 80 A	< 0.1	2.6
45 - 85 A	< 0.1	2.6
45 - 90 A	< 0.1	2.6
50 - 90 A	< 0.1	2.6

Continue: A05/1

PERFORMANCE TEST

Testing of alternator with regulator:  
 Keep the alternator voltage of 13 V  
 constant by varying the load  
 current IL

Type	Speed (min <sup>-1</sup> )	Load (A)
KC->14V40-70A	1 800	40
	6 000	70
KC->14V40-80A	1 800	40
	6 000	80
KC->14V45-80A	1 800	45
	6 000	80

Continue: A05/2

PERFORMANCE TEST (CONTINUED)

Type	Speed (min <sup>-1</sup> )	Load (A)
KC->14V45-85A	1 800	45
	6 000	85
KC->14V45-90A	1 800	45
	6 000	90
KC->14V50-90A	1 800	50
	6 000	90

Continue: A06/1

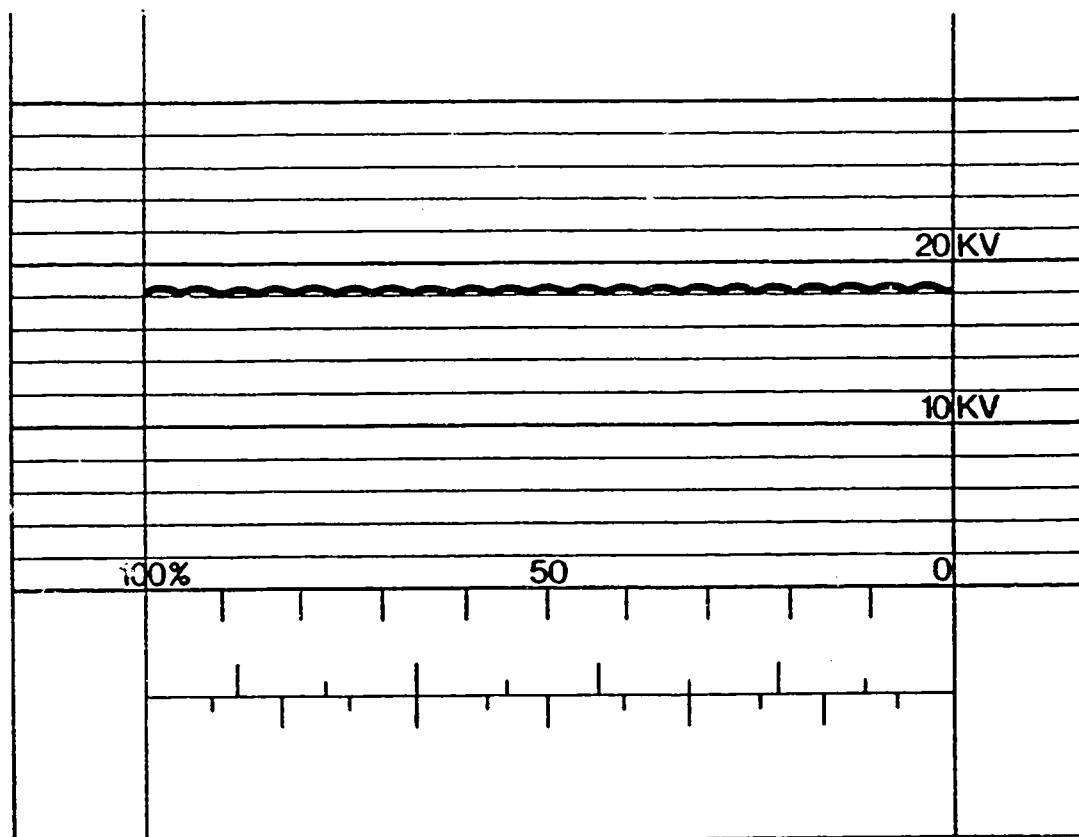
"Go" oscillogram:

This is the image provided by a properly functioning alternator. The D.C. voltage supplied has a small harmonic component.

Small spikes may be superimposed on the oscillogram illustrated if the alternator regulator is in operation.

The regulator can be shut down by connecting up a load (e.g. load impedance).

Continue: A07/1 Fig.: A06/2



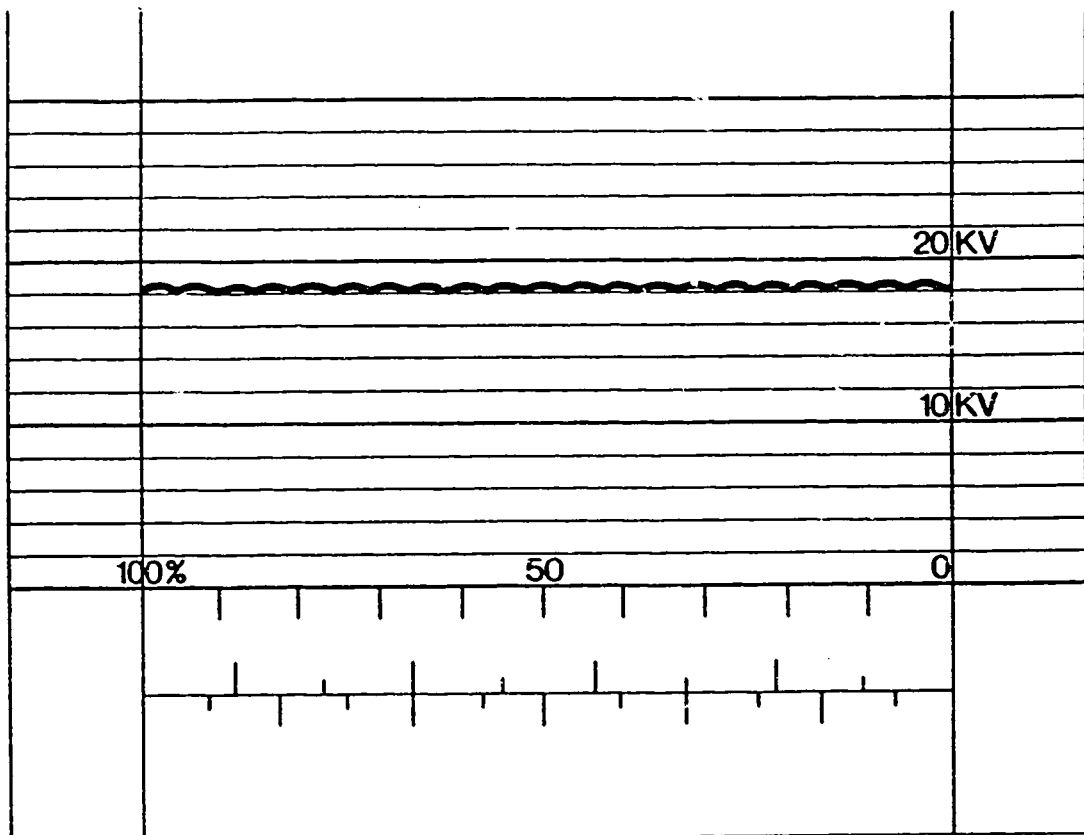
KMF00052

"Go" oscillogram:

In order to be able to compare such images, the respective image is to be adjusted by means of the oscilloscope vertical control such that it approximately fits in between the 10 and 20 kV division.

N o t e : Several faults may occur together.

Continue: A08/1 Fig.: A07/2



KMF00052

## MECHANICAL TEST SPECIFICATIONS

Air gap between rotor and stator max. 0.3 mm

Eccentricities:

OD of rotor 0.05 mm

OD of collector rings 0.03 mm

Continue: A08/2

## MECHANICAL TEST SPECIFICATIONS

Minimum diameter of collector rings and brush projection (see table)

Alternator 0 120 485 .	Collector- ring diameter (mm)		Brush projection (mm)	
	new app.	min. diam- eter	new app.	run in min.
EL regulator 1 197 311 ..	15.8	14.9	12.5	5.0

Continue: A09/1

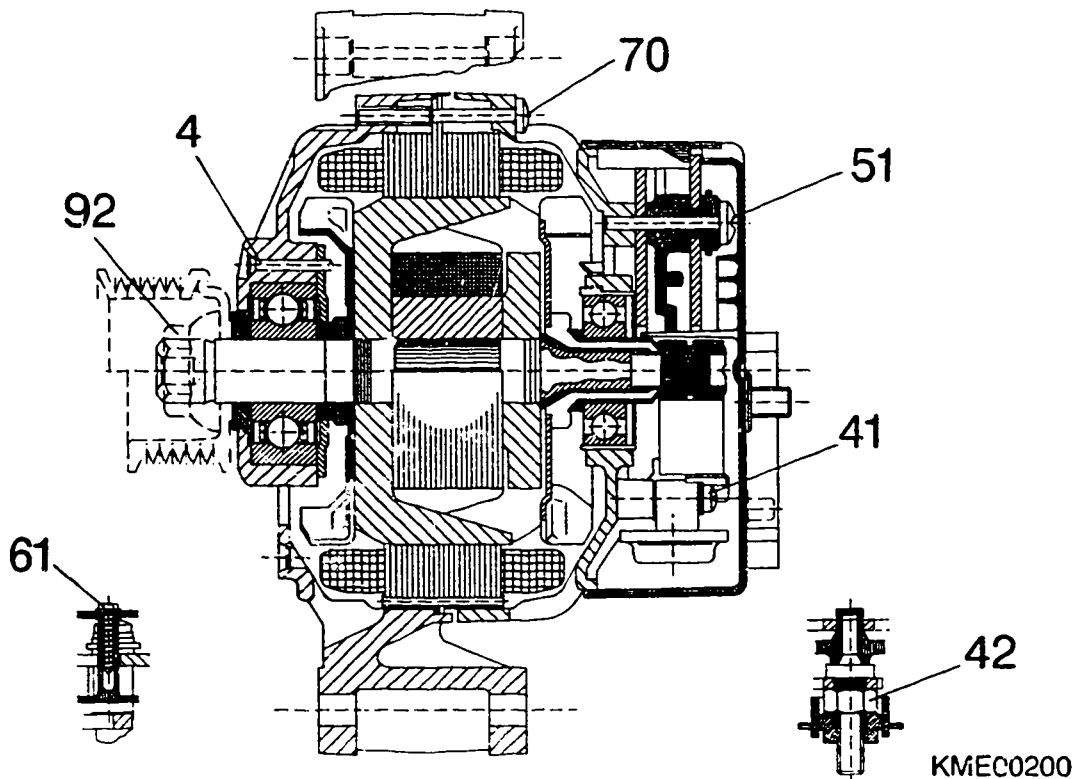


# TIGHTENING TORQUES FOR KC-ALTERNATORS

0 120 485 ...

- Item 4 = 2.7 ... 3.5 Nm
- Item 41 = 3.5 ... 4.3 Nm
- Item 42 = 13 ... 16 Nm
- Item 51 = 1.6 ... 2.3 Nm
- Item 70 = 4.5 ... 5.5 Nm
- Item 92 = 75 ... 85 Nm
- Item 61 = Tighten fastening screw  
of cap with screwdriver  
until head of screw  
makes contact.

Continue: A10/1 Fig.: A09/2

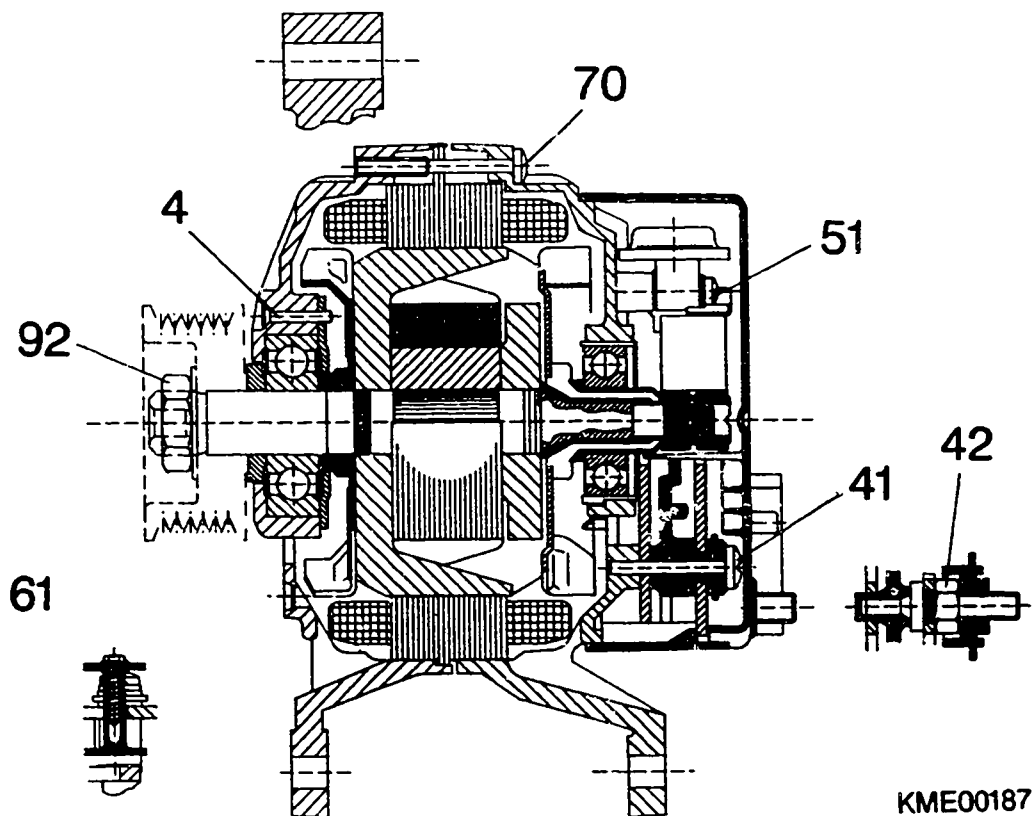


# TIGHTENING TORQUES FOR KC-ALTERNATORS

0 120 485 ..

- Item 4 = 2.7 ... 3.5 Nm
- Item 41 = 3.5 ... 4.3 Nm
- Item 42 = 13 ... 16 Nm
- Item 51 = 1.6 ... 2.3 Nm
- Item 70 = 4.5 ... 5.5 Nm
- Item 92 = 45 ... 55 Nm
- Item 61 = Tighten fastening screw of cap with screwdriver until head of screw makes contact.

Continue: A11/1 Fig.: A10/2





CIRCUIT DIAGRAMS (CONTINUED):

Alternator KC → 14V 45-80A

Alternator KC → 14V 40-90A

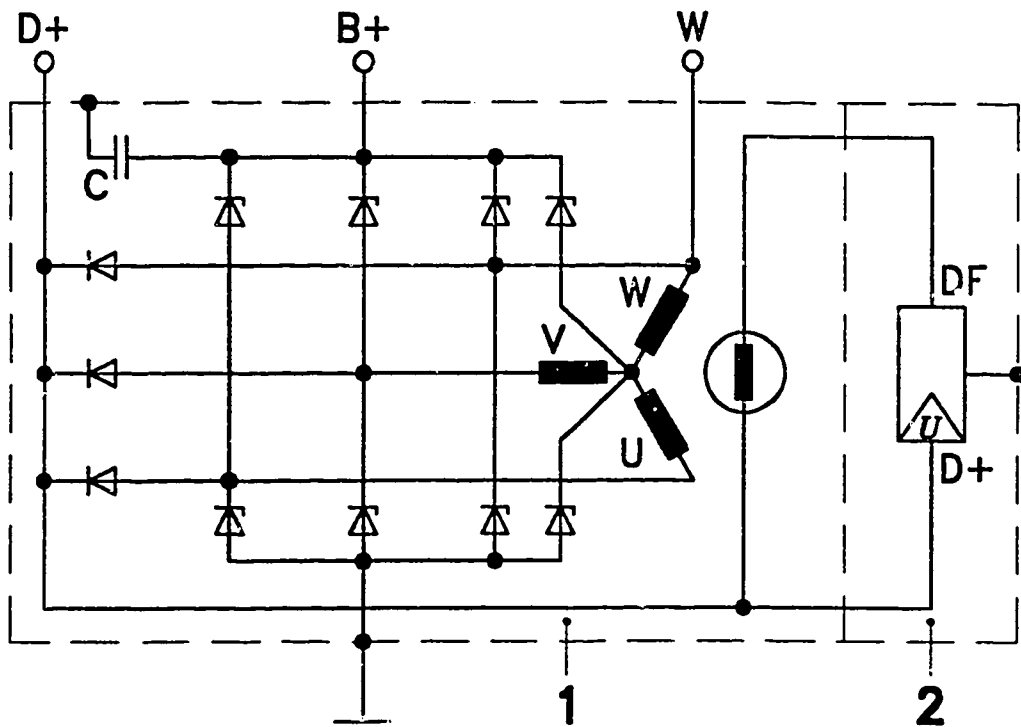
Alternator KC → 14V 45-90A

with terminal W

1 = Alternator

2 = Regulator

Continue: A13/1 Fig.: A12/2



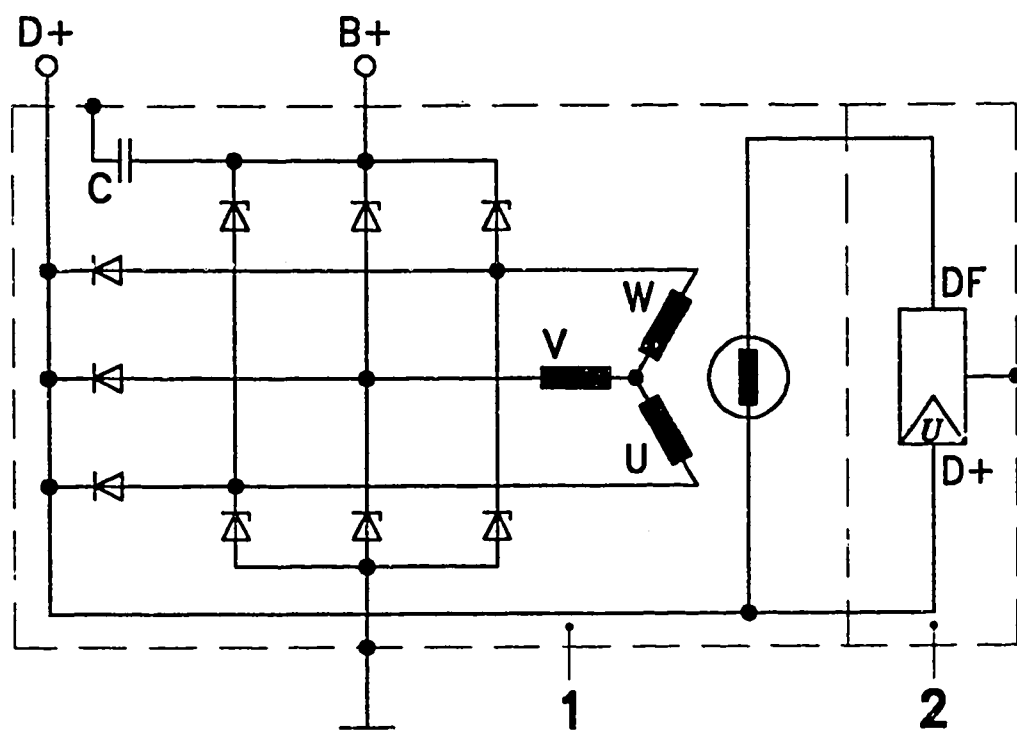
KME00213

CIRCUIT DIAGRAMS (CONTINUED):

Alternator KC → 14V 40-80A

1 = Alternator  
2 = Regulator

Continue: A14/1 Fig.: A13/2



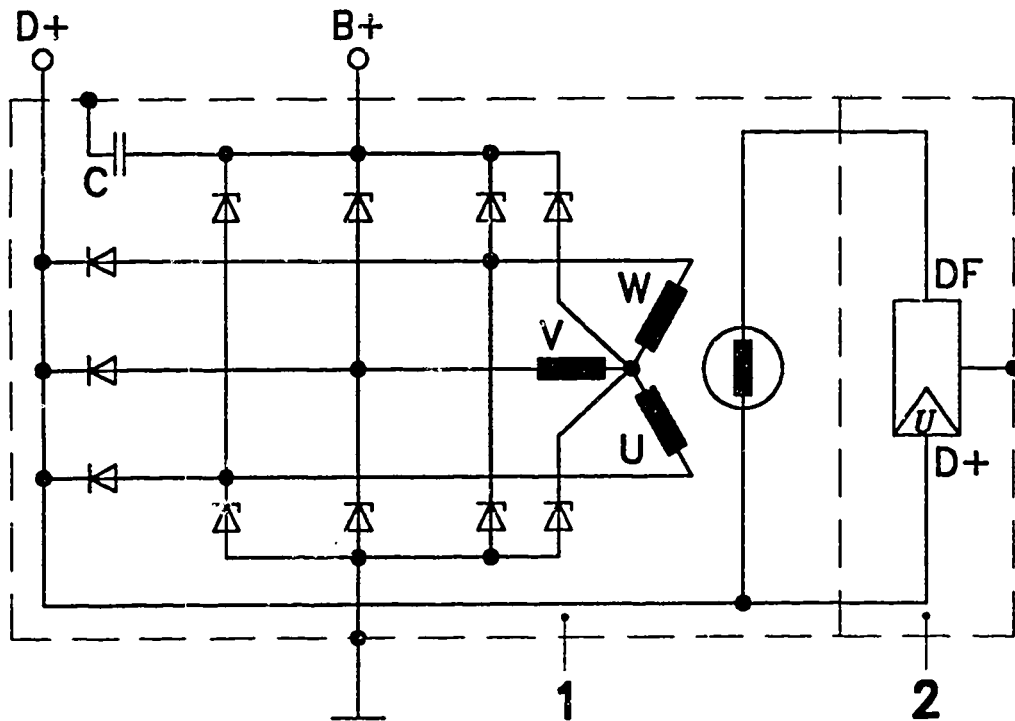
KME00189

CIRCUIT DIAGRAMS (CONTINUED):

- Alternator KC → 14V 45-80A
- Alternator KC → 14V 45-90A
- Alternator KC → 14V 50-90A

- 1 = Alternator
- 2 = Regulator

Continue: A15/1 Fig.: A14/2

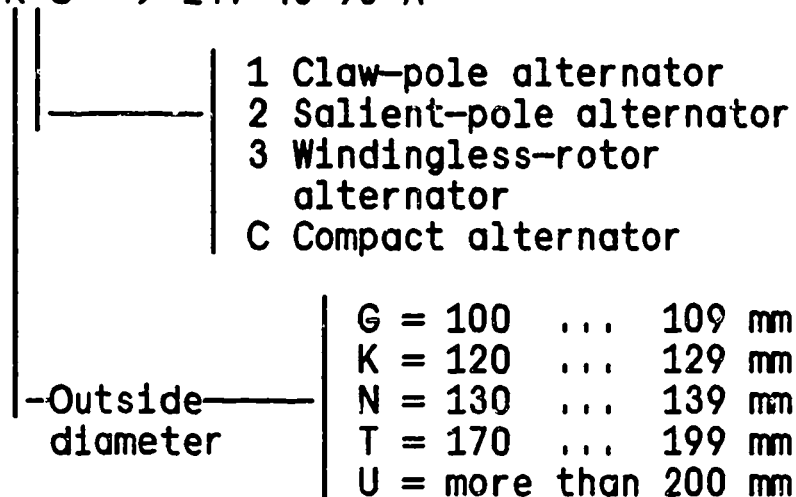


KME00190

GENERAL

Explanation of type code on  
alternator e.g. KC→ 14 V 45-90 A

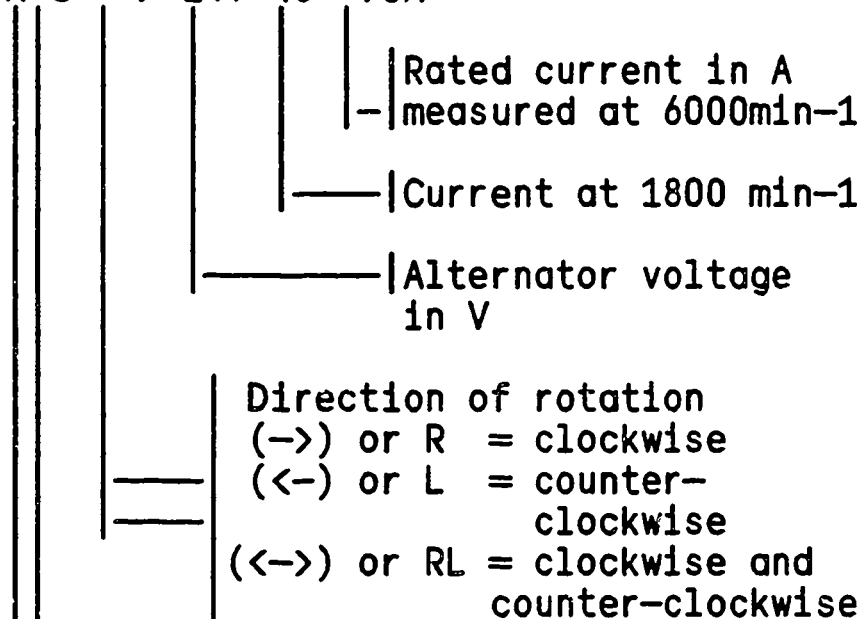
K C → 14V 45-90 A



Continue: A15/2

GENERAL (CONTINUED)

K C → 14V 45- 90A



Continue: A16/1

## CLEANING OF PARTS

---

C A U T I O N !  
D A N G E R   O F   F I R E

---

To provide interference suppression for receivers and transmitters, alternators are fitted with capacitors with a long storage time.

Washing out alternator components may result in capacitor discharge when immersing them in cleaning fluids. This can cause combustible liquids to catch fire.

Continue: A16/2

## CLEANING OF PARTS

For this reason, parts featuring capacitors are only to be washed out in HAKU 1025/6.

Continue: A17/1



## TESTERS, TOOLS AND ADHESIVES

### Testers:

#### Alternator test bench

EFLJ 25 .. 0 680 110 ...  
or EFLJ 70 A 0 680 104 ...  
or EFLJ 91 0 683 300 100

#### or combination test bench

(only for load up to max. 43 A)

EFAW 275 .. 0 681 107 ...

#### For additional check or test:

Ignition oscilloscope (all versions)

or

Bosch Motortester (all versions)

Continue: A17/2

## TESTERS, TOOLS AND ADHESIVES

### Testers:

Test panel EFAW 81 0 681 169 013  
or KDAW 9984 0 681 269 014

#### Transformer panel

EFAW 82 0 681 169 014  
or KDAW 9995

#### Insulation tester

EFAW 84 (contained in  
KDAW 9983 scope of  
delivery of  
EFAW 81 or  
KDAW 9984)

Continue: A18/1

TESTERS, TOOLS AND ADHESIVES

Testers:

Dial gauge EFAW 7 1 687 233 011

Magnetic instrument  
stand T-M 1  
4 851 601 124  
(EW/MS 1B1 0 601 980 001)

Alternator tester  
WPG 012.00 0 684 201 200

3 feeler gauges 0.15...0.6 mm  
KDZV 7399

Electric Tester  
ETE 014.00 0 684 101 400

Continue: A18/2

TESTERS, TOOLS AND ADHESIVES

Tools:

Clamping support KDAW 9999

Mandrel press (comm. avail)

Two prisms (comm. avail)

Soldering iron 180 W (comm. avail)

Holding device for  
multi-groove pulley KDLJ 6029

Continue: A19/1

TESTERS, TOOLS AND ADHESIVES

Tools:

Die spigot for mandrel press	KDLJ 6010
Socket wrench	KDLJ 6030
Socket wrench	KDLJ 6031
Insert for screws with internal serrations M 10 x 100 e.g. FÄHNLE part.no. 52 579 006	comm. avail.

Continue: A19/2

TESTERS, TOOLS AND ADHESIVES

Tools:

Support piece and pressing-in sleeve	KDLJ 6044
Support pin	KDLJ 6045
Two-arm puller e.g. Hahn and Kolb No. 55025120	comm. avail.
Support block for bending open protective-cap holder	KDLJ 6046

Continue: A20/1

TESTERS, TOOLS AND ADHESIVES

Adhesives:

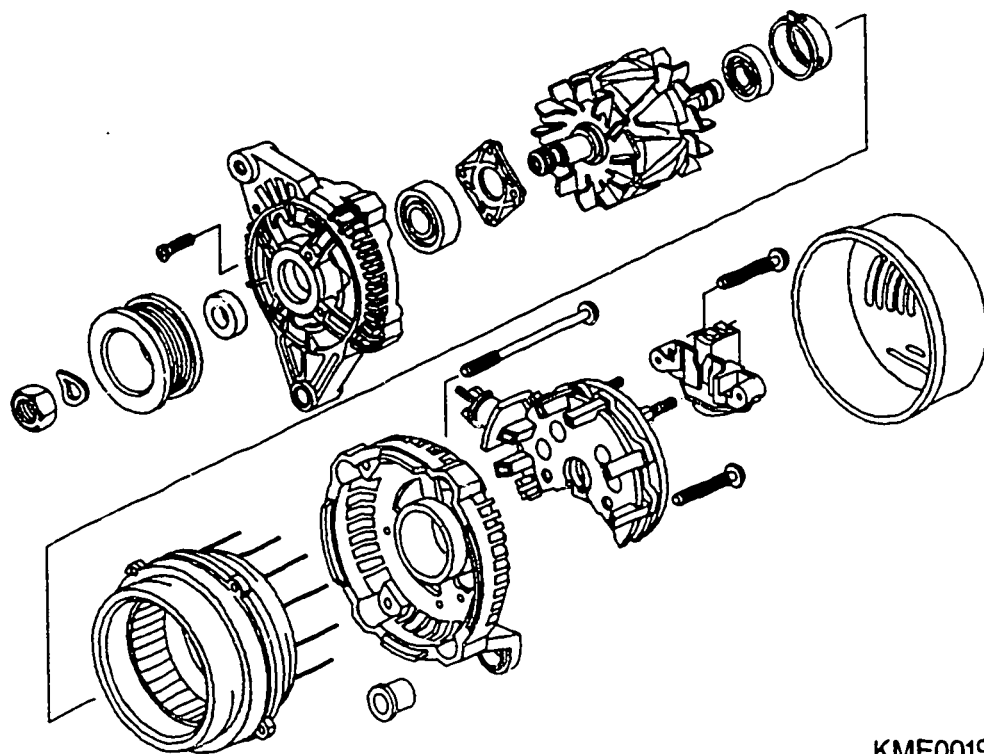
Anti-moisture  
varnish FS 190                      comm. avail.

Silicon (Elastosil 07)              comm. avail.

Continue: A21/1

EXPLODED VIEW OF ALTERNATOR  
0 120 485 ...

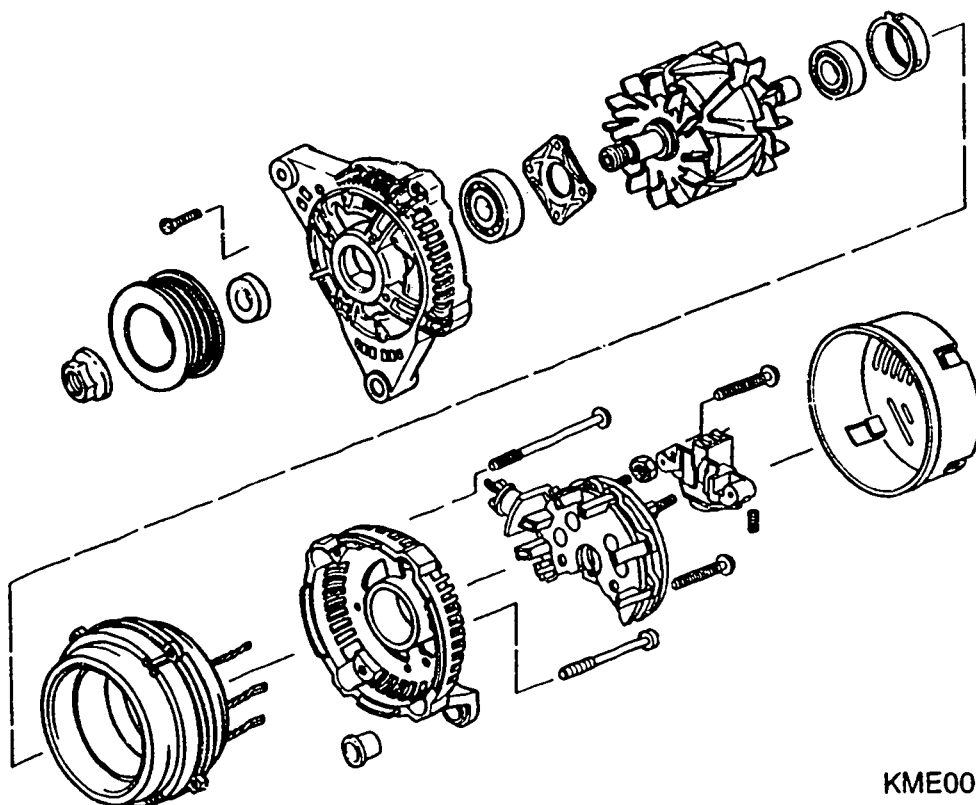
Continue: A22/1 Fig.: A21/2



KME00191

EXPLODED VIEW OF ALTERNATOR  
0 120 485 ...

Continue: A23/1 Fig.: A22/2



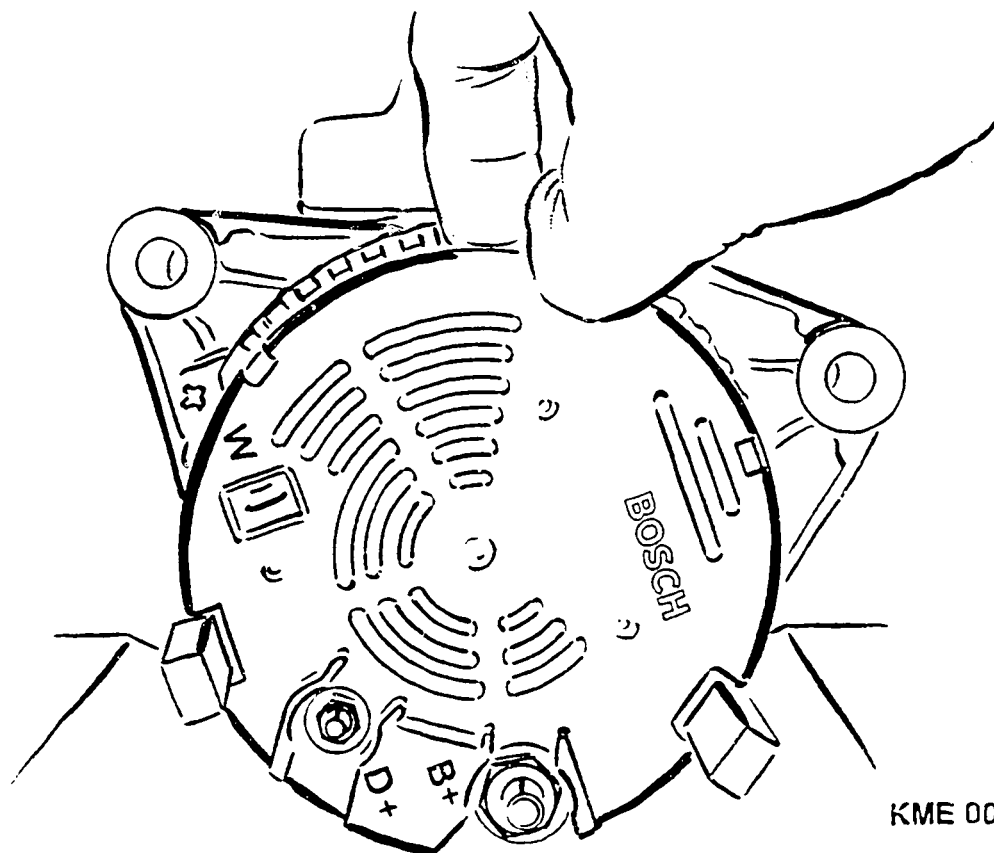
KME00192

## DISASSEMBLY OF ALTERNATOR AND TESTING OF COMPONENTS

Clamp alternator in position in clamping support KDAW 9999. Loosen connections B+, D+ and term. W (if provided); also remove fastening screws from protective cap.

To remove the protective cap, two support blocks (KDLI 6046) must be slipped into the opening of the protective-cap catch (clips). Bend third clip slightly outwards by hand (do not use excessive force). Remove protective cap.

Continue: A24/1 Fig.: A23/2



KME 00193

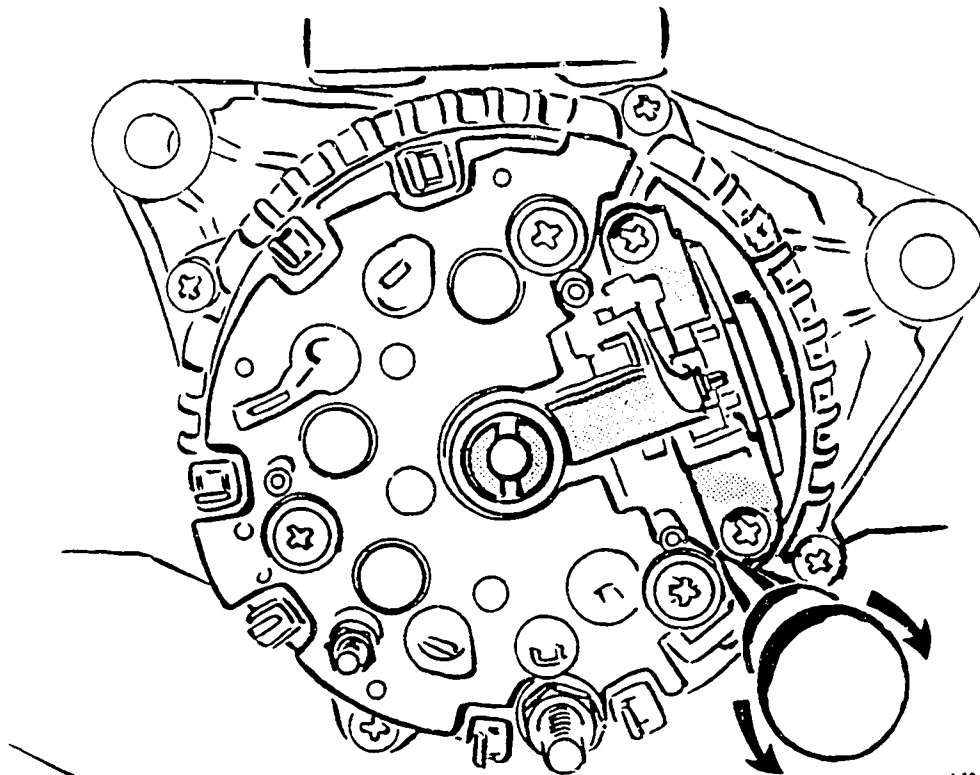
## ALTERNATOR DISASSEMBLY

N o t e :

Remove electronic regulator before disassembling alternator.

To do so, unscrew 2 fastening screws of regulator; then push regulator clips outwards with screwdriver to remove regulator as shown in picture.

Continue: A25/1 Fig.: A24/2



KME 00163



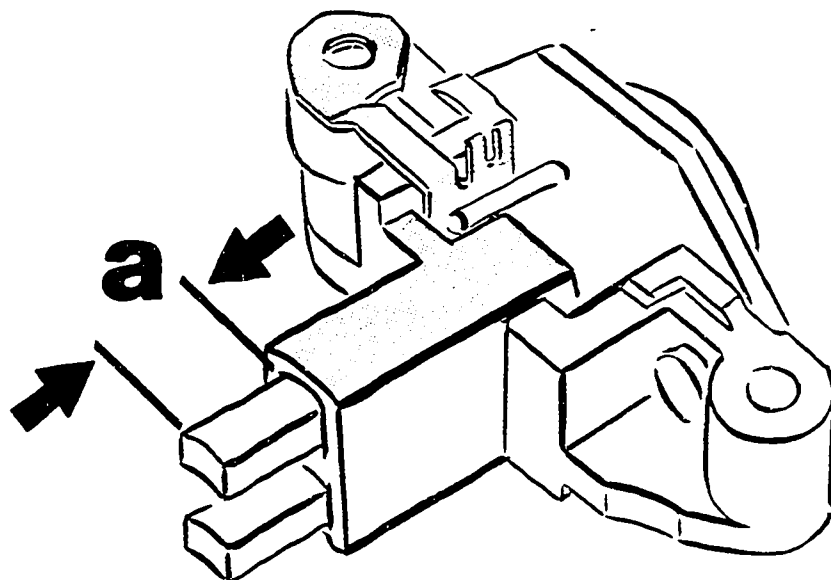
## ALTERNATOR DISASSEMBLY

Check regulator for external damage.

Renew regulator/carbon brushes in the event of broken-off carbon brushes or projection "a" less than 7 mm than.

Check carbon brushes for freedom of movement.

Continue: A26/1 Fig.: A25/2



KME 00164

# ALTERNATOR DISASSEMBLY

Minimum diameter of collector rings and brush projection (see table)

Alternator 0 120 485 .	Collector- ring diameter (mm)		Brush pro- jection (mm)	
	new app.	min. dia- meter	new app.	run in min.
EL regulator 1 197 311 ..	15.8	14.9	12.5	5.0

Continue: A27/1

## ALTERNATOR DISASSEMBLY

Check suppression capacitor on removed rectifier.

Detach lug of suppression capacitor (B-) from rectifier.

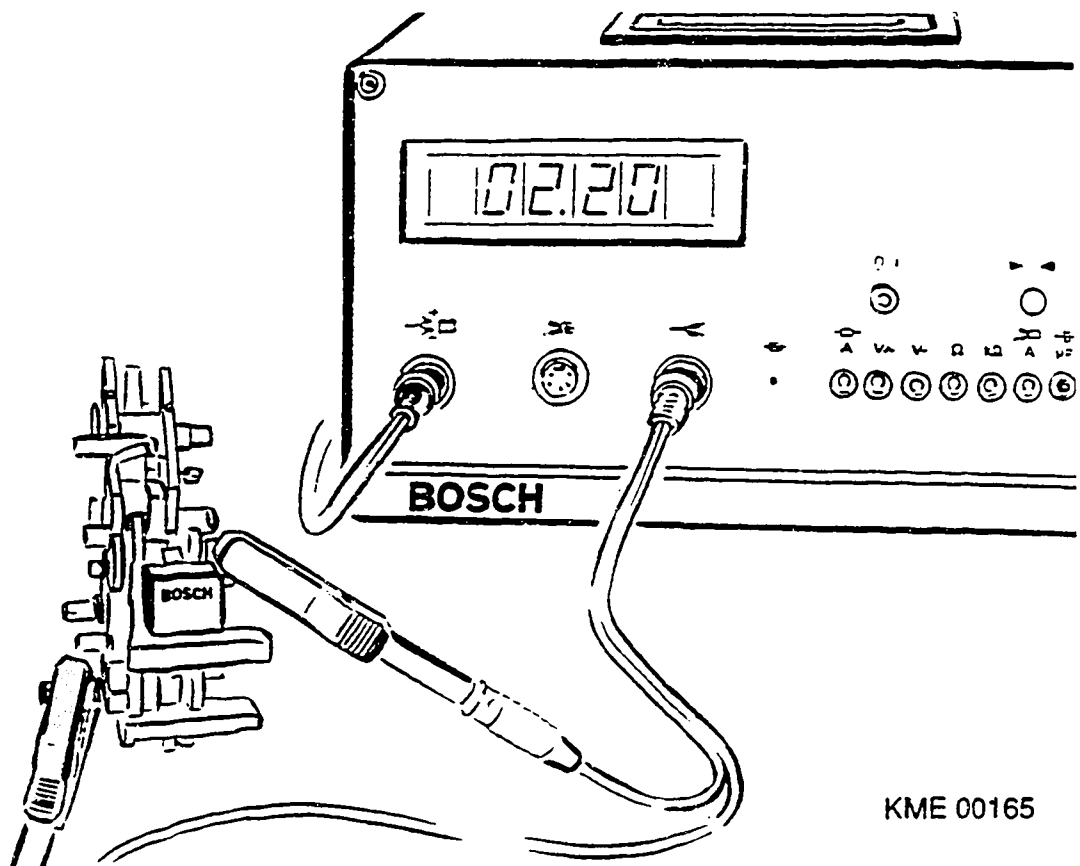
Connect up Electric Tester to B+ of rectifier and to detached capacitor lug.

Set value: 1,8...2,6 microfarads

If set value is not attained, renew defective suppression capacitor with rectifier.

After testing, short suppression capacitor to discharge it and thus prevent ignition of the cleaning fluid when cleaning component parts.

Continue: A28/1 Fig.: A27/2



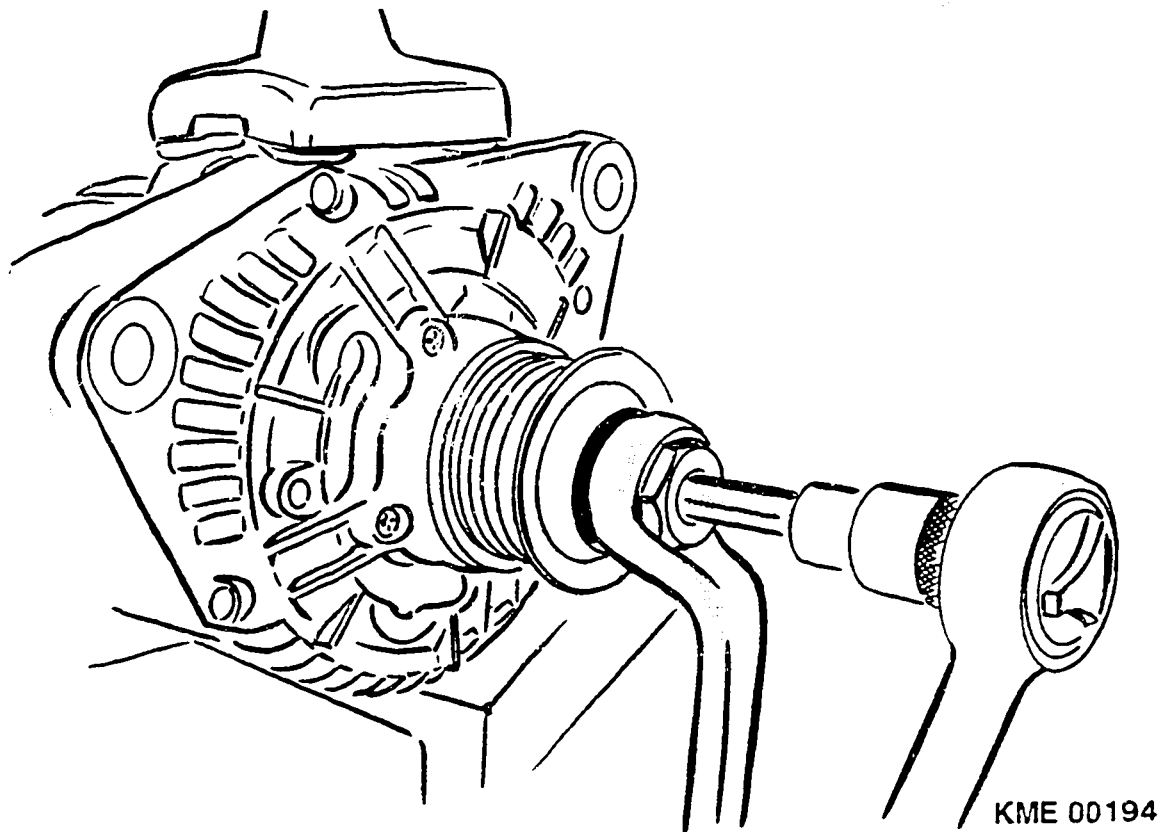
KME 00165

## ALTERNATOR DISASSEMBLY

In the case of alternators with internal serrations in rotor shaft, attach socket wrench KDLJ 6030 or KDLJ 6031 (depending on width across flats) to fastening nut of pulley.

Use commercially available key for screws with internal serrations (10 x 100 mm) to hold rotor shaft of alternator and loosen nut with box wrench (width across flats 22)

Continue: B01/1 Fig.: A28/2



# ALTERNATOR DISASSEMBLY

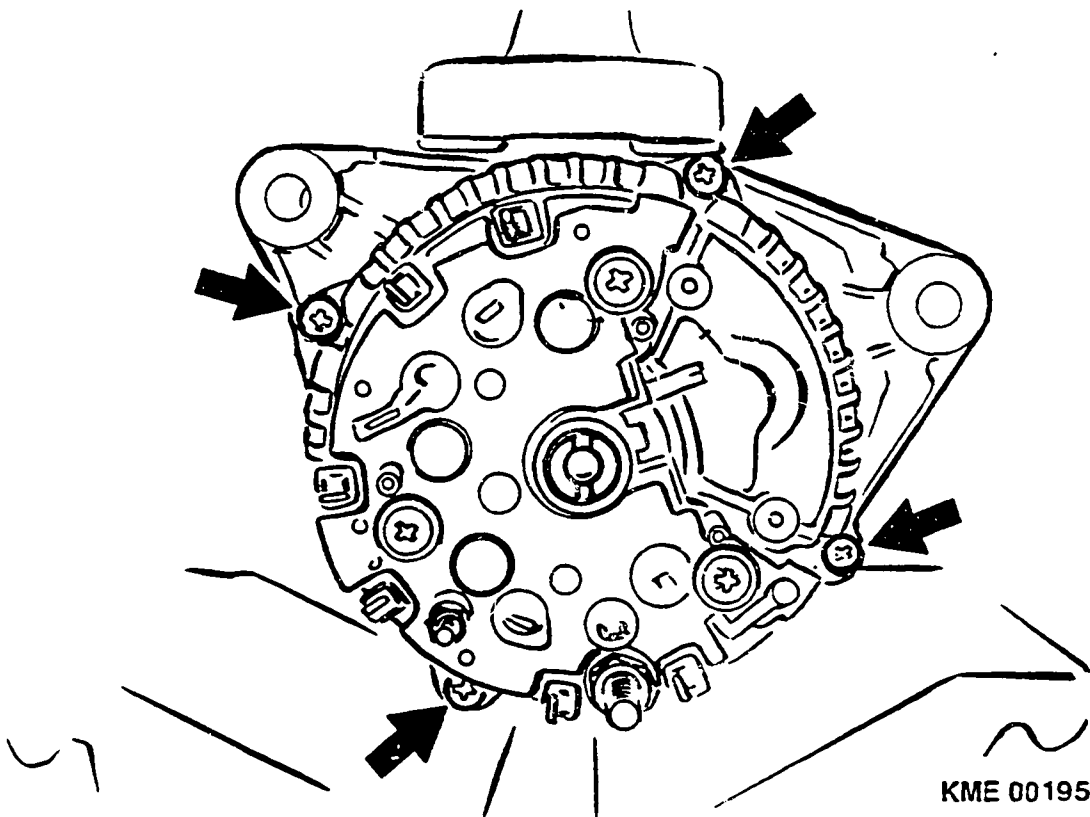
**N o t e :**

Before continuing with alternator disassembly, mark drive end shield and collector-ring bearing, so as to ensure that these parts assume the same position on re-assembly.

Loosen and remove four fillister-head screws (arrows).

Pull drive end shield with rotor out of collector-ring bearing.

Continue: B02/1 Fig.: B01/2



KME 00195

# ALTERNATOR DISASSEMBLY

## Rectifier testing

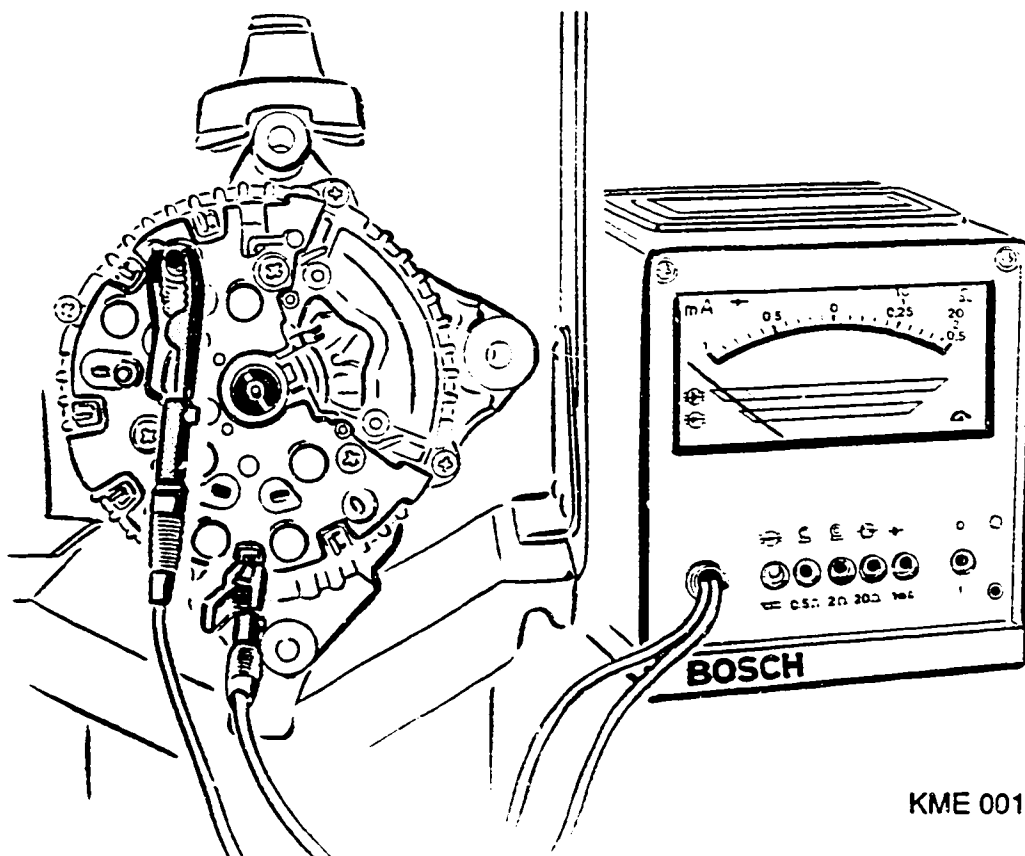
Check function of wired-up rectifier with converted EFAW 192 or WPG 012.00.

Pay attention to switch position on tester.

### Measurement points:

- \* Housing and soldered joint of stator connections
- \* B+ and soldered joint, stator connections
- \* D+ and soldered joint, stator connections

Continue: B03/1 Fig.: B02/2



KME 00168

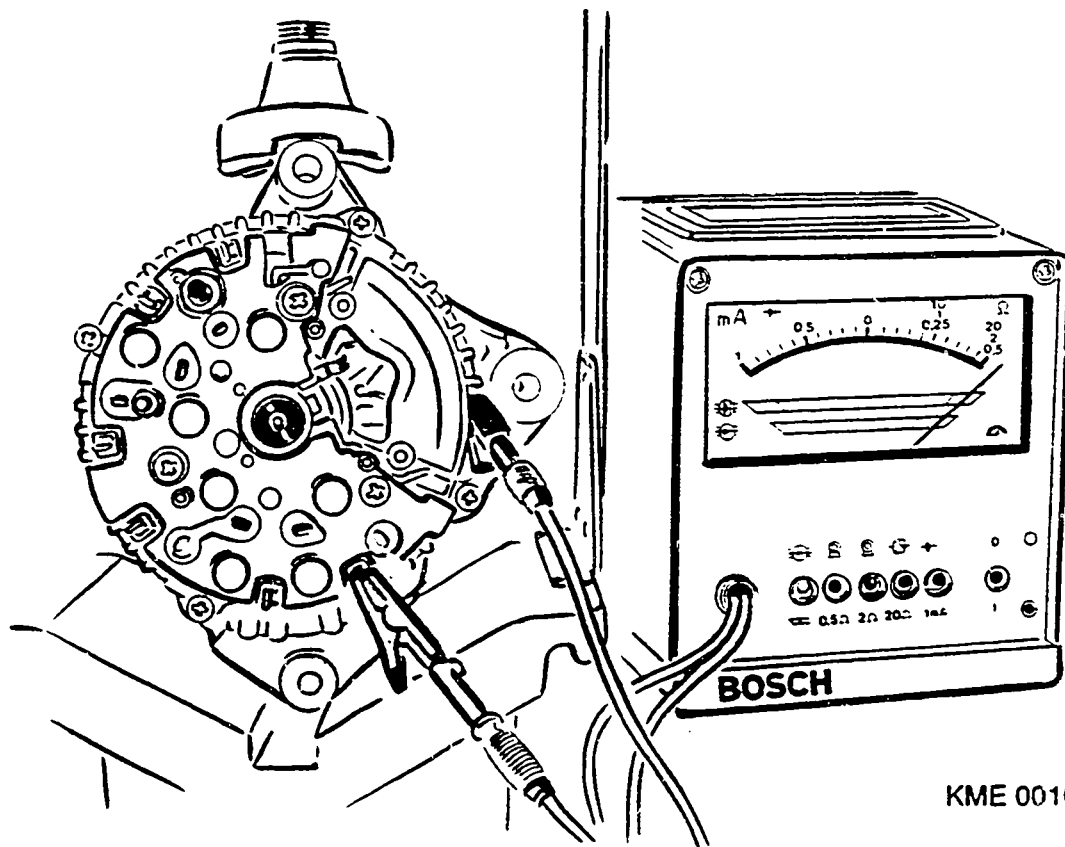
## ALTERNATOR DISASSEMBLY

### Testing rectifier:

Rectifier is O.K. if pointer of tester is in green zone when performing these measurements.

Renew complete rectifier if one diode or several diodes are defective.

Continue: B04/1 Fig.: B03/2



KME 00169

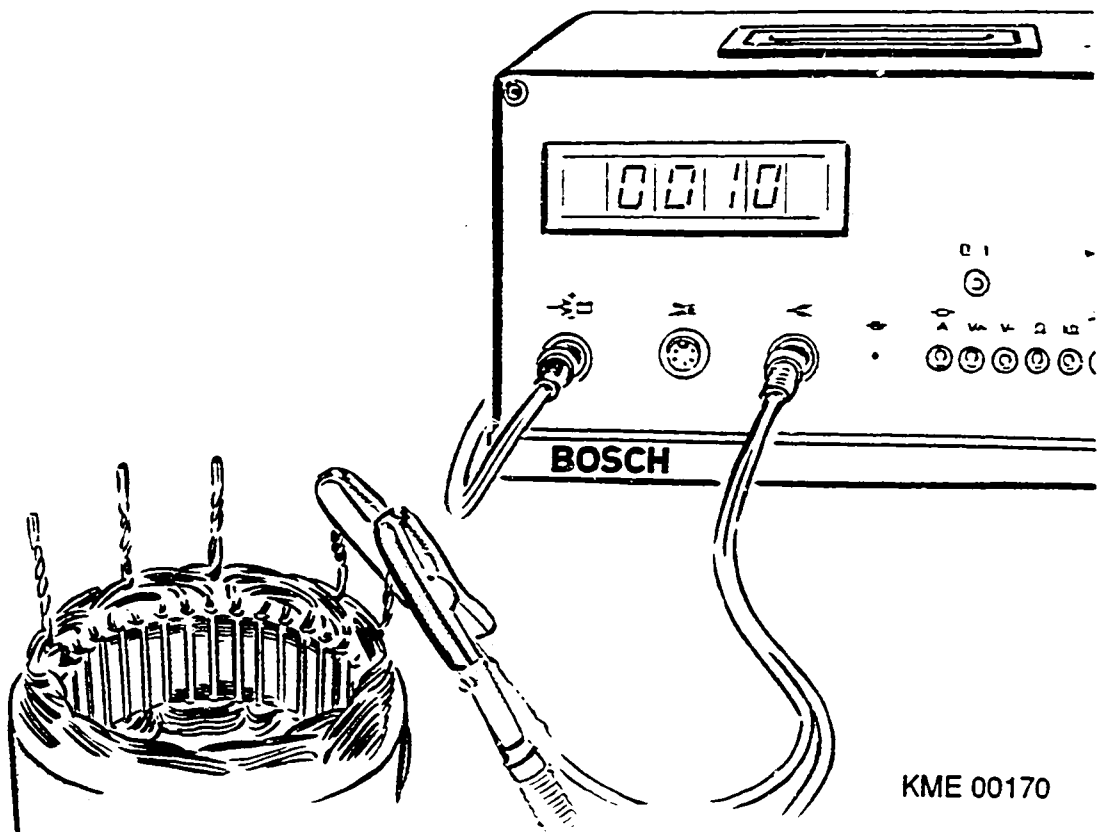
## ALTERNATOR DISASSEMBLY

Check stator (resistance):  
Check resistance value of stator  
in situ.  
Pay attention to switch position  
on tester.

Type	Stator resistance +10%
KC-14V 40-70A	less than 0.1 ohms
KC-14V 40-80A	less than 0.1 ohms
KC-14V 45-80A	less than 0.1 ohms
KC-14V 45-85A	less than 0.1 ohms
KC-14V 45-90A	less than 0.1 ohms
KC-14V 50-90A	less than 0.1 ohms

Repeat test following removal  
(picture).

Continue: B05/1 Fig.: B04/2



KME 00170



## ALTERNATOR DISASSEMBLY

Rectifier only has to be removed if rectifier, stator or capacitor defective.

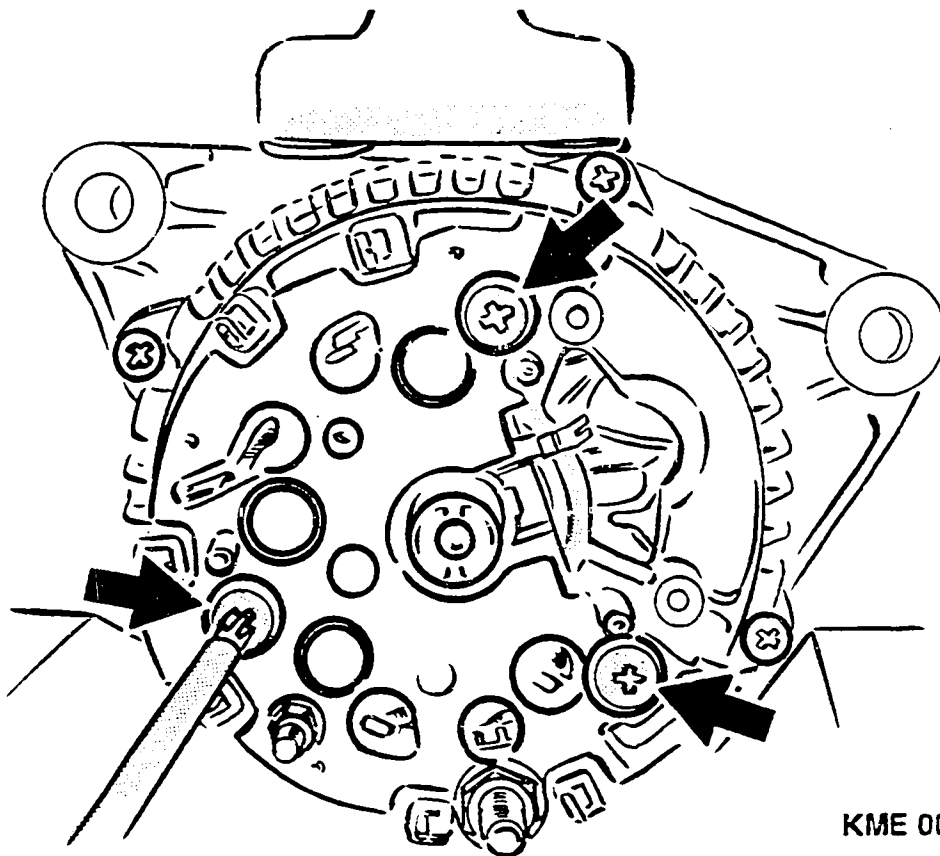
Removing defective rectifier:

Lift up and open welded-on clamps of stator-wire holder.

Detach wire from weld.

3 Loosen recessed-head screws and remove.  
Remove rectifier.

Continue: B06/1 Fig.: B05/2



KME 00196

## ALTERNATOR DISASSEMBLY

### Replacing defective stator:

Saw through or file through crimped stator wire beneath the crimp.

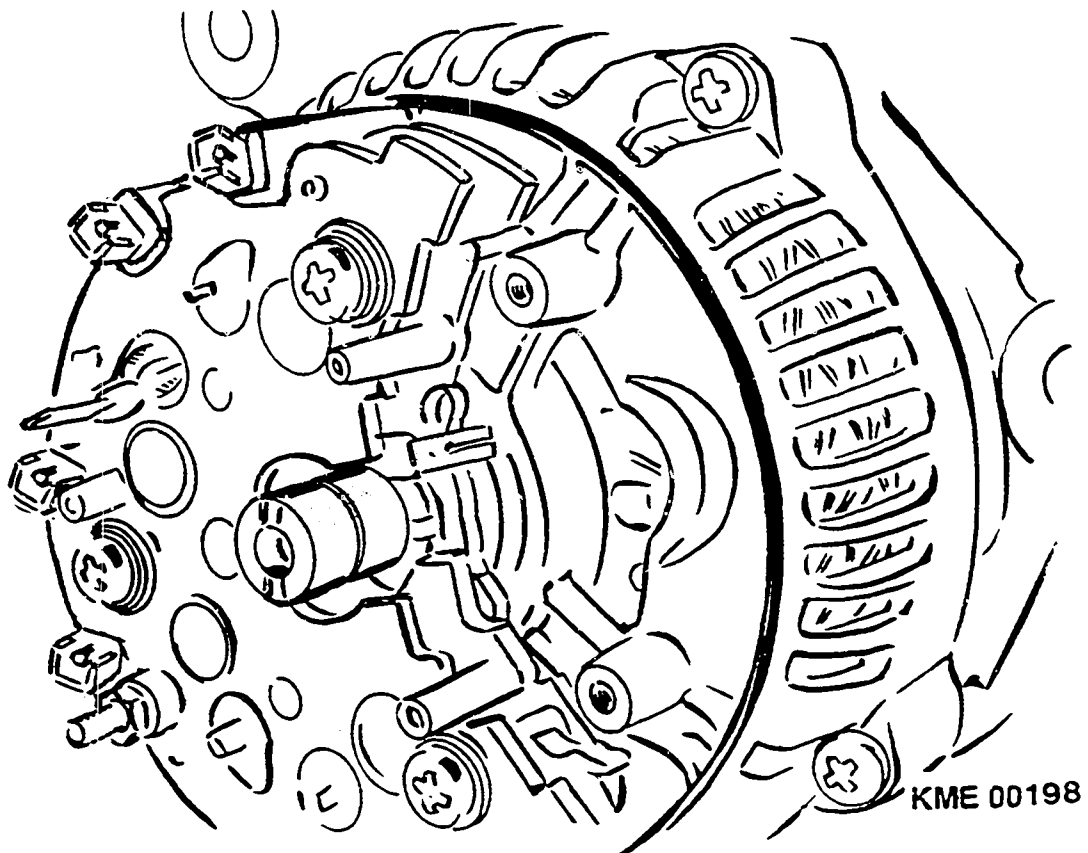
Unscrew rectifier and remove stator winding.

Lift up and carefully open welded-on clamps of stator-wire holder at rectifier.

Remove residual wire.

Caution: the removed rectifier must be re-used on assembly.

Continue: B07/1 Fig.: B06/2



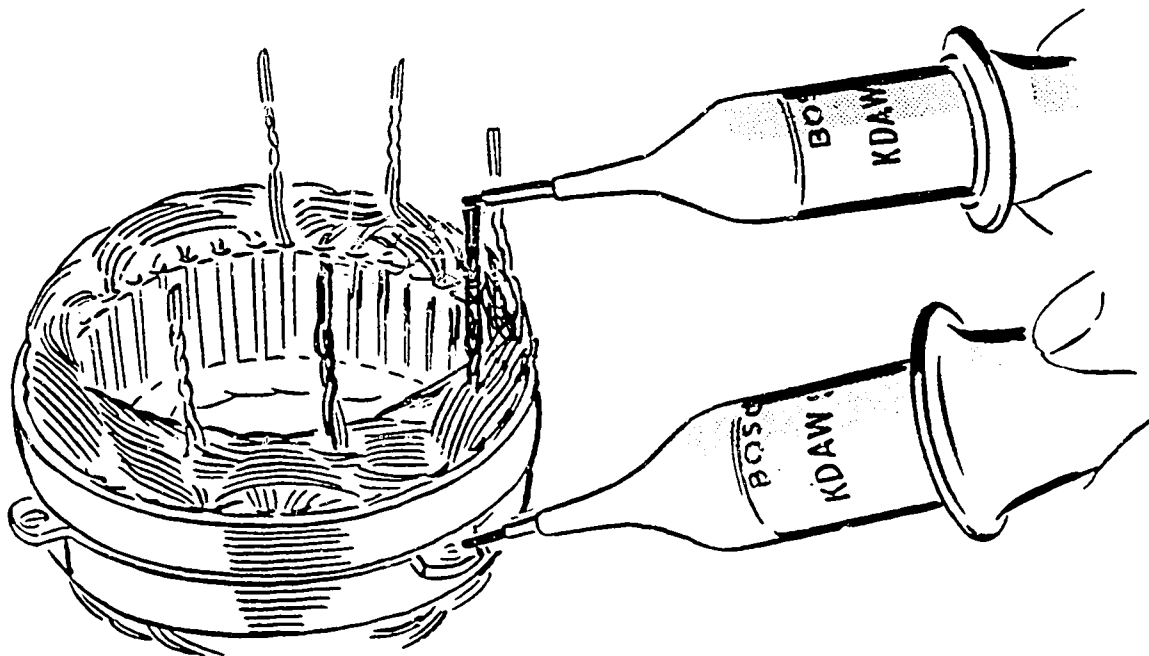
## ALTERNATOR DISASSEMBLY

Checking stator (short to ground):

Use test prods EFAW 84 or KDAW 9983 to check stator for short to ground.

Test voltage: 80 VAC

Continue: B08/1 Fig.: B07/2



KME 00173

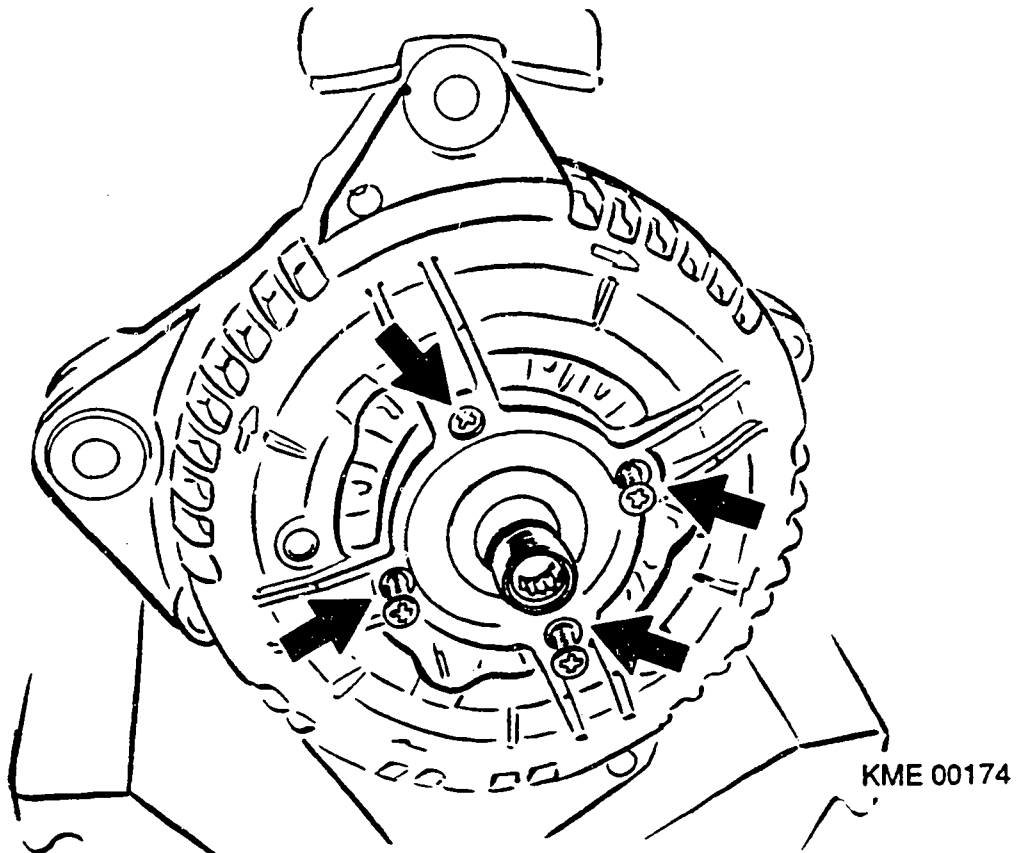
## ALTERNATOR DISASSEMBLY

### Removing rotor:

Rotor only has to be removed if collector rings or excitation winding is/are defective, or if same applies to deep-groove ball bearing/collector-ring end shield.

Press out rotor under mandrel press if holding plate of deep-groove ball bearing is bolted from inside of alternator. To do so, use old stator frame (e.g. of starting motor) with 105 mm inside diameter and 115 mm outside diameter (see picture).

Continue: B09/1 Fig.: B08/2



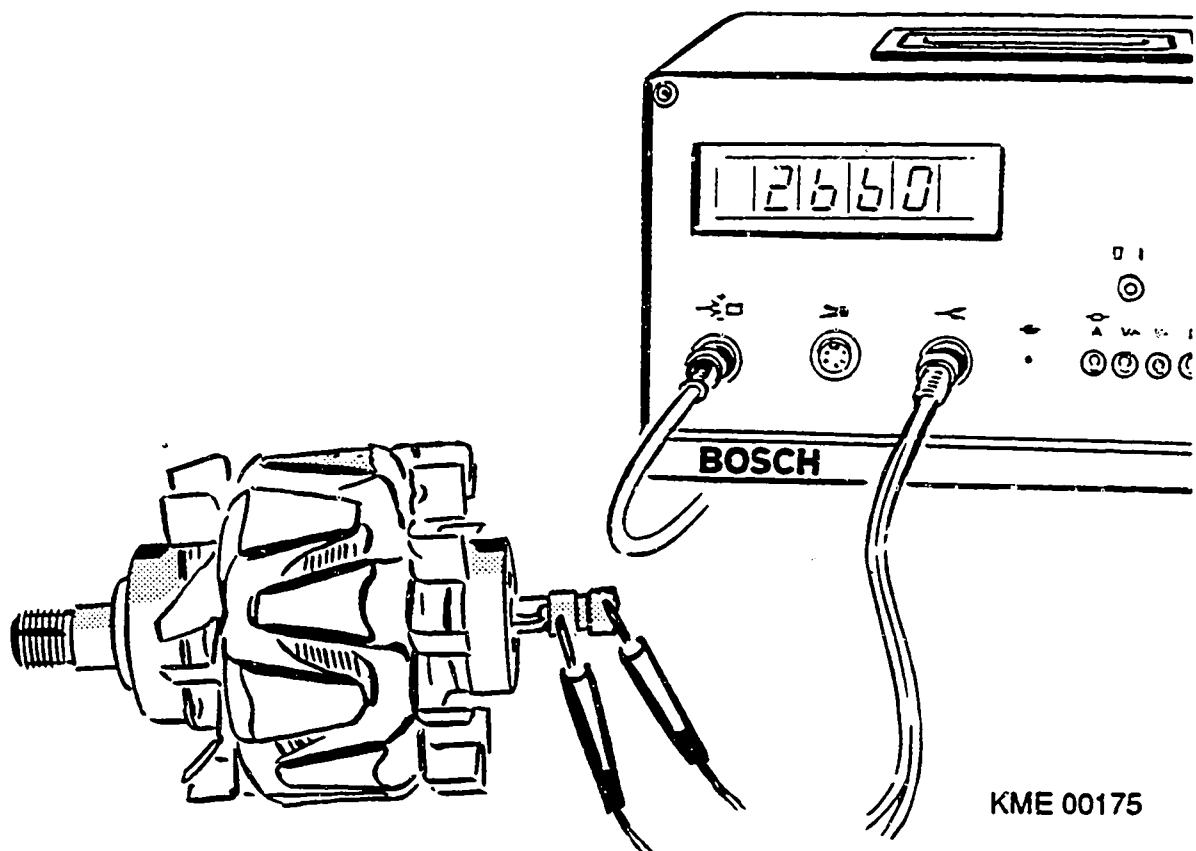
KME 00174

# ALTERNATOR DISASSEMBLY

Check rotor resistance:  
Use Electric Tester ETE 014.00 to  
measure rotor resistance (see picture).  
Resistance values for alternator:

Type KC → 14V	Rotor ohms + 10%
40 - 70 A	2.6
40 - 80 A	2.6
45 - 80 A	2.6
45 - 85 A	2.6
45 - 90 A	2.6
50 - 90 A	2.6

Continue: B10/1 Fig.: B09/2



KME 00175

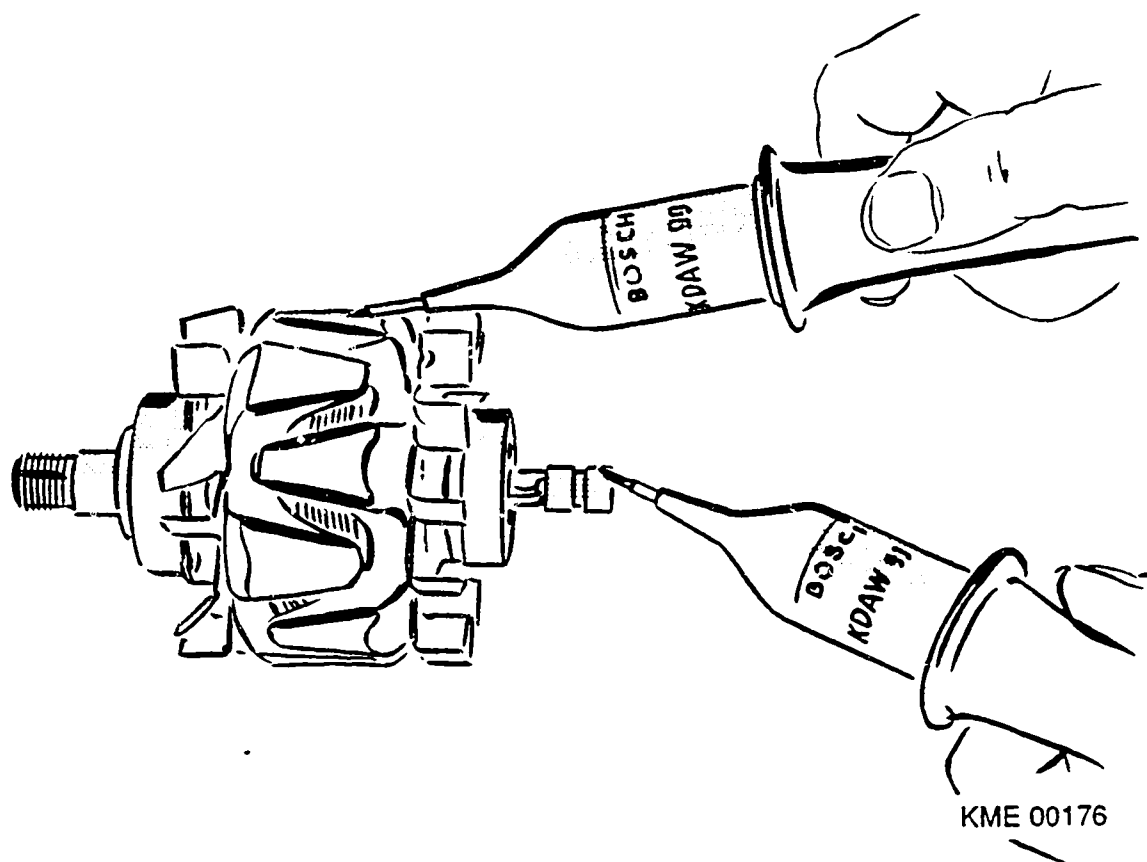
# ALTERNATOR DISASSEMBLY

Checking rotor for short to ground:

Use test prods EFAW 84 or KDAW 9983 to check rotor for short to ground.

Test voltage: 80 VAC.

Continue: B11/1 Fig.: B10/2



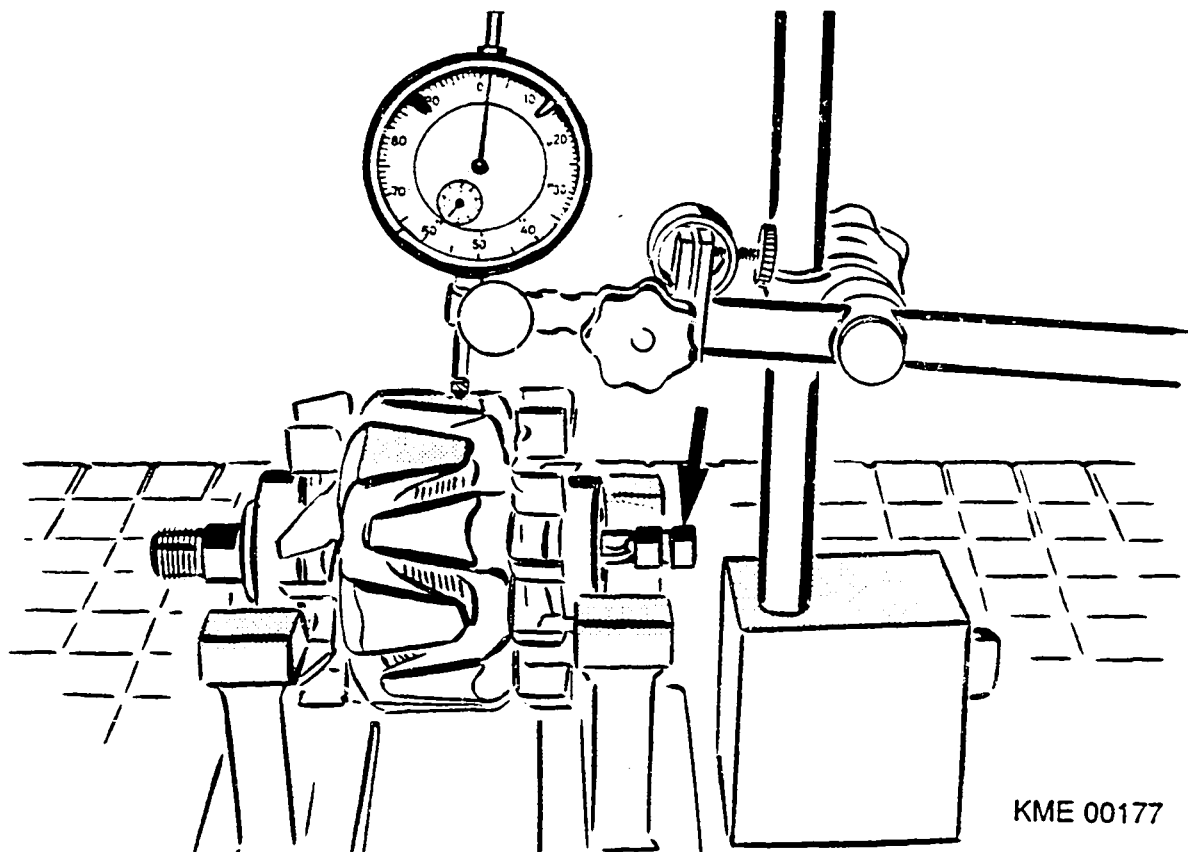
## ALTERNATOR DISASSEMBLY

### Concentricity measurement:

Support rotor at bearing points in prisms and align so as to be exactly horizontal. Carry out concentricity measurement at outside diameter of rotor (picture) and at outside diameter of collector rings (see arrow) with magnetic instrument stand T-M 1 (4 851 601 124) and dial gauge EFAW 7. Maximum deviation at rotor 0.05 mm. Maximum deviation at collector rings 0.03 mm. Turn down collector rings in the event of greater deviation.

Minimum diameter of collector rings:  
new 15,8 - minimum dimension 14,9

Continue: B12/1 Fig.: B11/2



## CLEANING OF PARTS

---

CAUTION !  
DANGER OF FIRE

---

To provide interference suppression for receivers and transmitters, alternators are fitted with capacitors with a long storage time.

Washing out alternator components may result in capacitor discharge when immersing them in cleaning fluids. This can cause combustible liquids to catch fire.

Continue: B12/2

## CLEANING OF PARTS

For this reason, parts featuring capacitors are only to be washed out in HAKU 1025/6.

Continue: B13/1



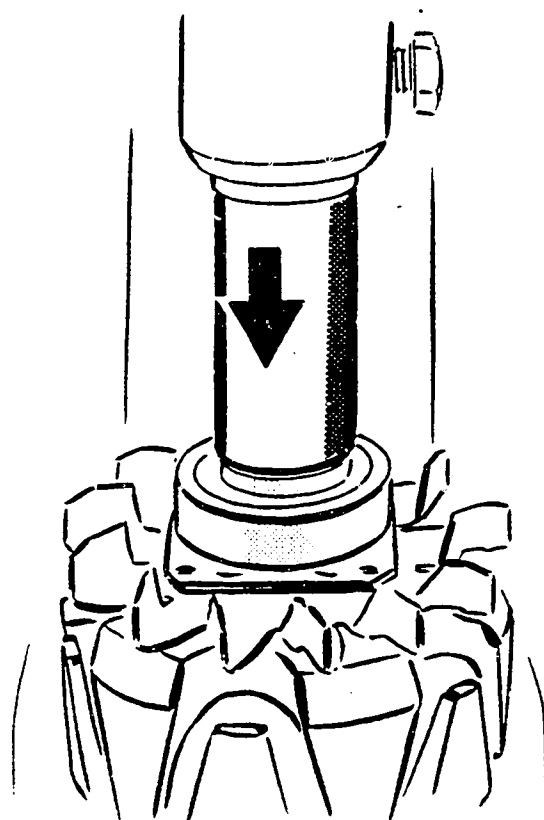
## ALTERNATOR ASSEMBLY

Rotor and drive end shield assembly:

Attach rotor on collector ring end to KDLJ 6044/2. Attach NEW cover plate, new deep-groove ball bearing and spacer (keep to sequence) to shaft on drive end as shown in picture.

Use pressing-in sleeve KDLJ 6044/1 to press home spacer, deep-groove ball bearing and cover plate.

Continue: B14/1 Fig.: B13/2



KME 00178

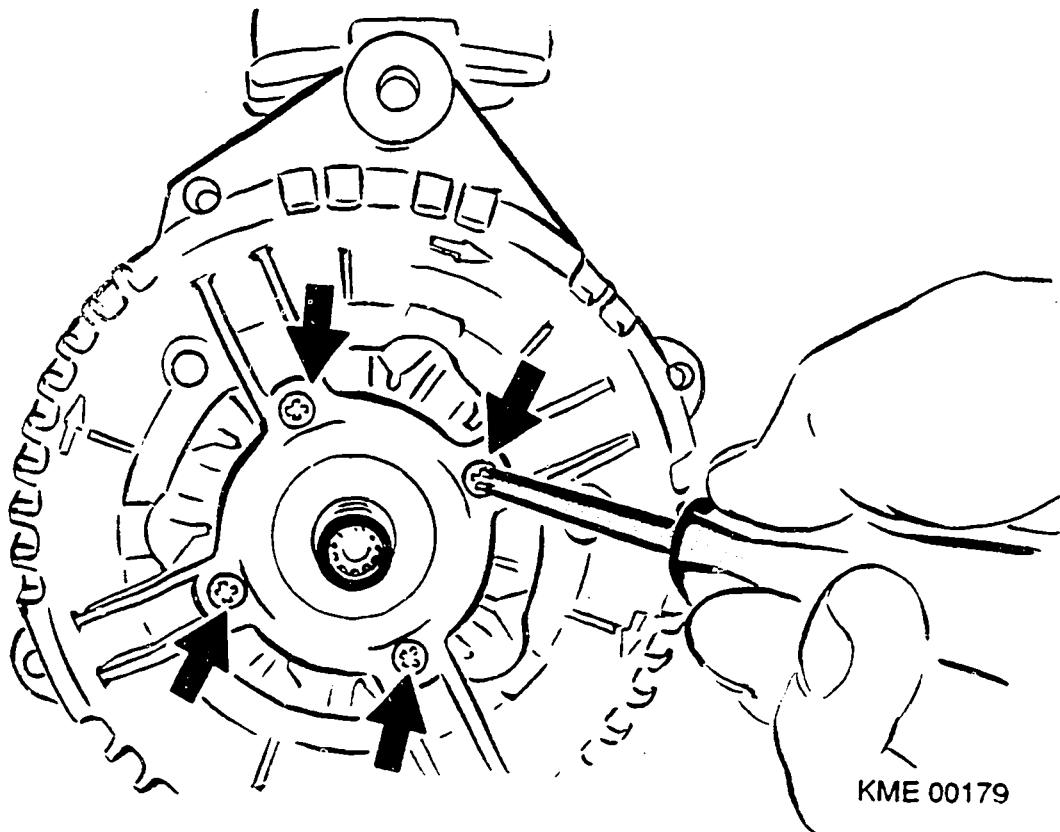
## ALTERNATOR ASSEMBLY

Insert rotor into drive end shield.  
Deep-groove ball bearing has sliding  
sect.

Secure cover plate with four recessed-  
head screws (see picture).  
Tighten the screws diagonally.

Tightening torque: 2,7...3,5 Nm

Continue: B15/1 Fig.: B14/2



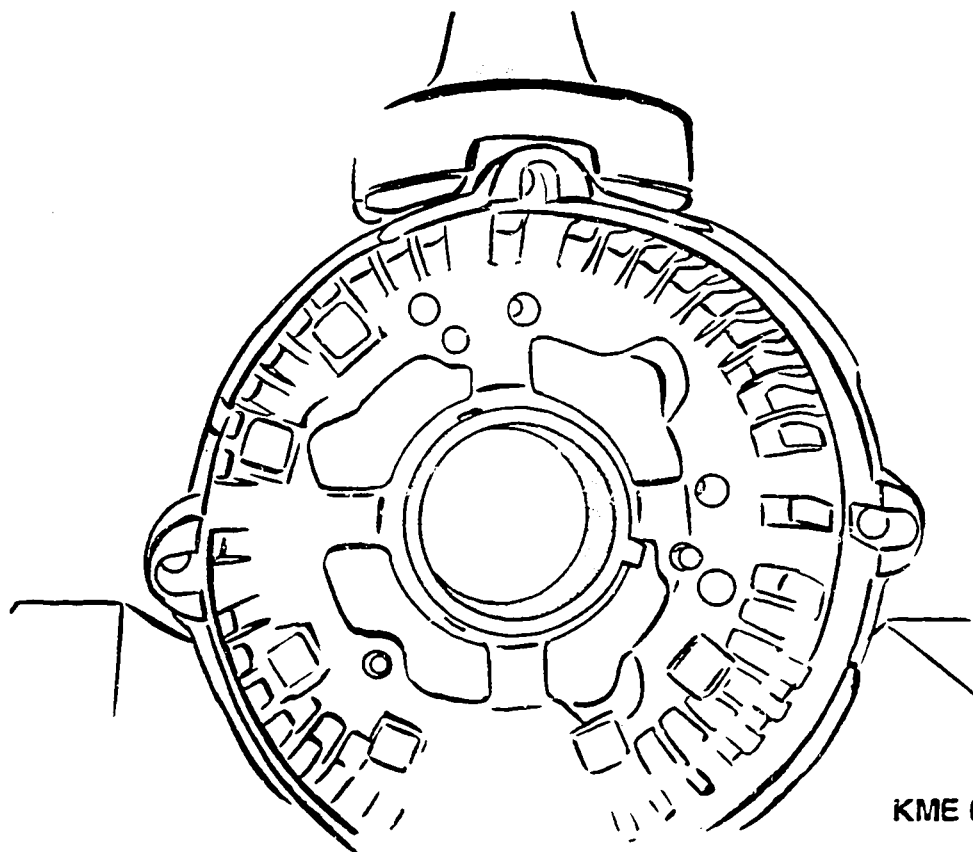
# ALTERNATOR ASSEMBLY

## Fitting-ring replacement:

Examine fitting ring in collector-ring bearing for damage.

If necessary, replace with a new fitting ring.

Continue: B16/1 Fig.: B15/2



KME 00197

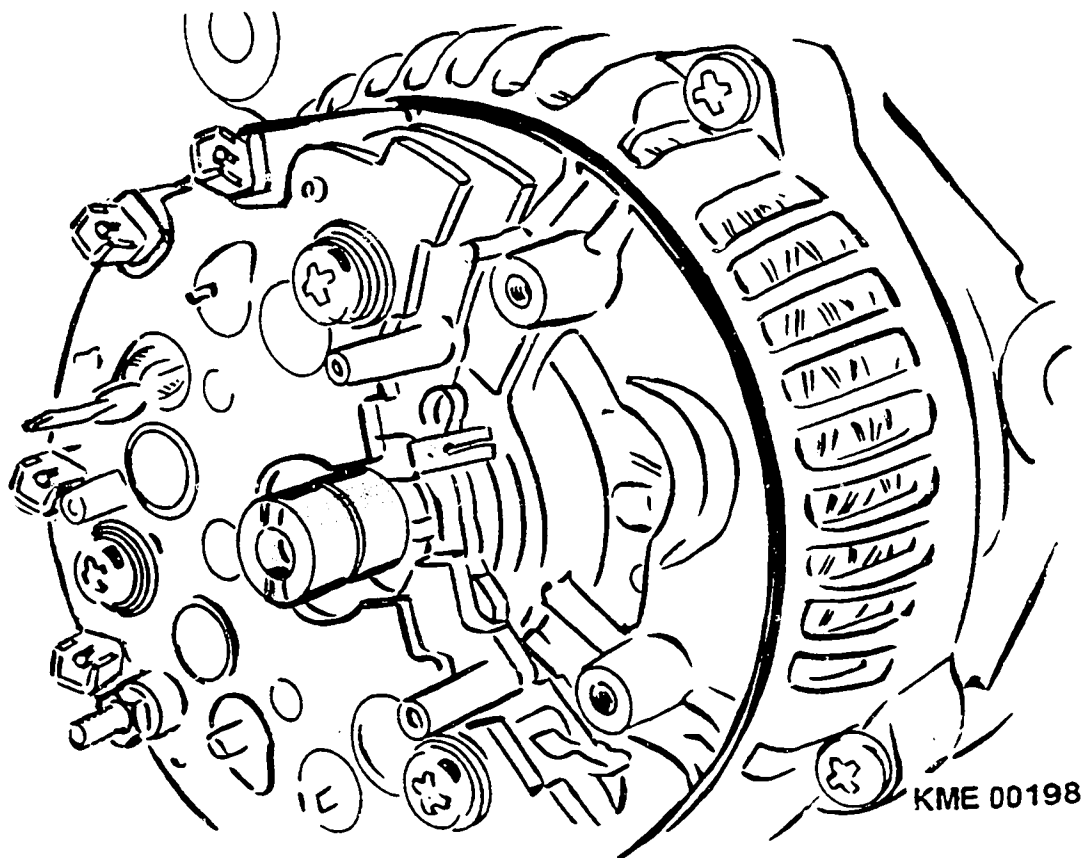
## ALTERNATOR ASSEMBLY

Use three recessed-head screws to attach new rectifier to end shield.

Tightening torque: 3,5...4,3 Nm

Crimp stator wires into wire holder and solder on using for example Weller soldering iron (soldering tip 9) PT-D9 and high-temperature solder (min. 480 °C).

Continue: B17/1 Fig.: B16/2



## ALTERNATOR ASSEMBLY

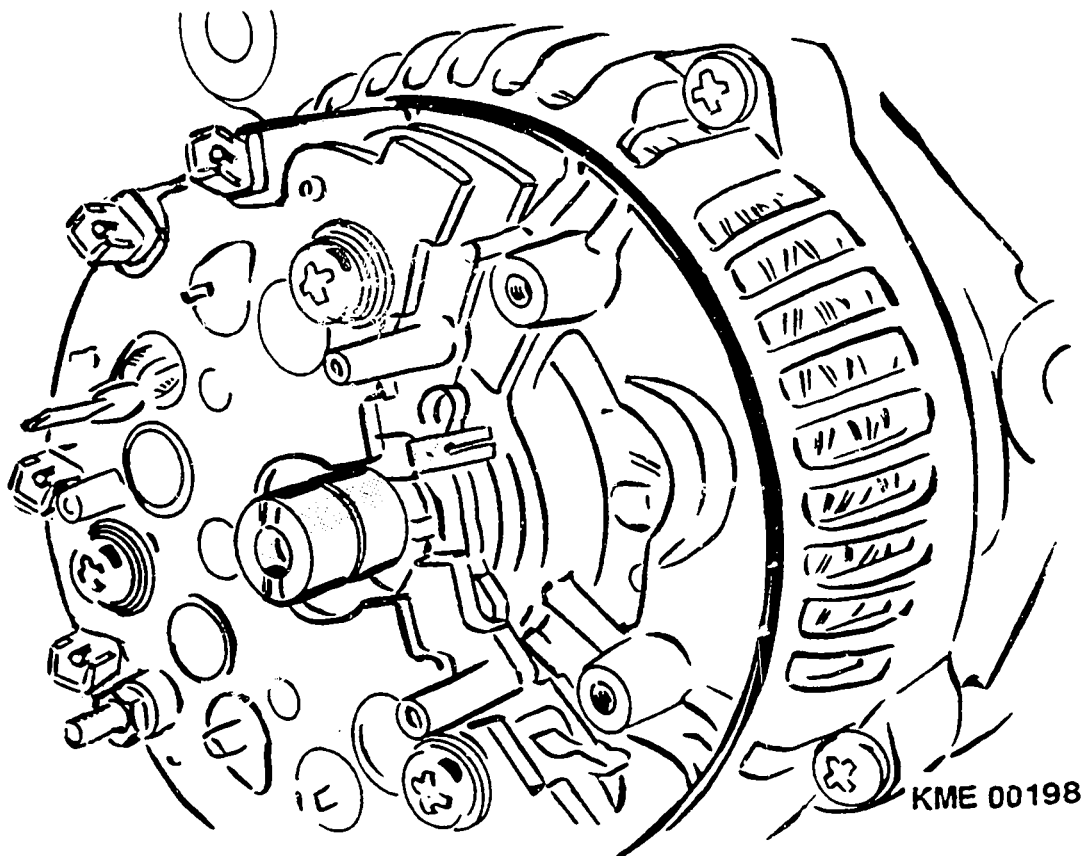
Insert new stator into collector-ring end shield.  
Screw on rectifier previously removed.

Tightening torque: 3,5...4,3 Nm

Crimp stator wires into wire holders  
previously bent open and solder on.

Use high-temperature solder  
(min. 480 degrees C).

Continue: B18/1 Fig.: B17/2

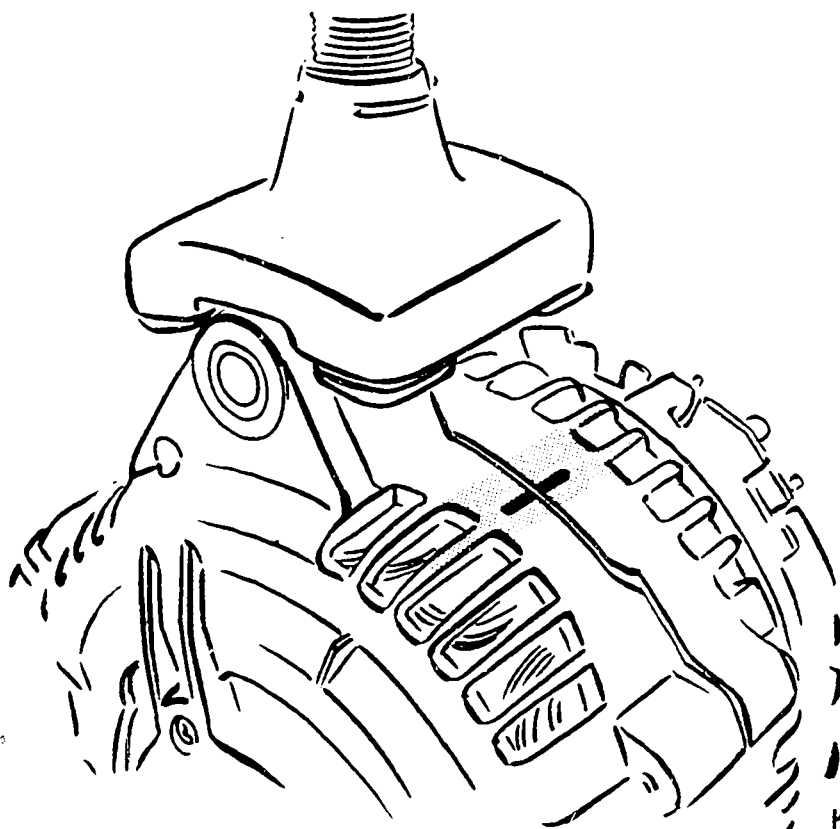


## ALTERNATOR ASSEMBLY

Make sure the marks made on the collector-ring bearing and drive end shield prior to alternator disassembly coincide.

The following operations are necessary so as to ensure proper rotor concentricity and proper alignment between drive end shield and collector-ring bearing:

Continue: B19/1 Fig.: B18/2



KME 00182

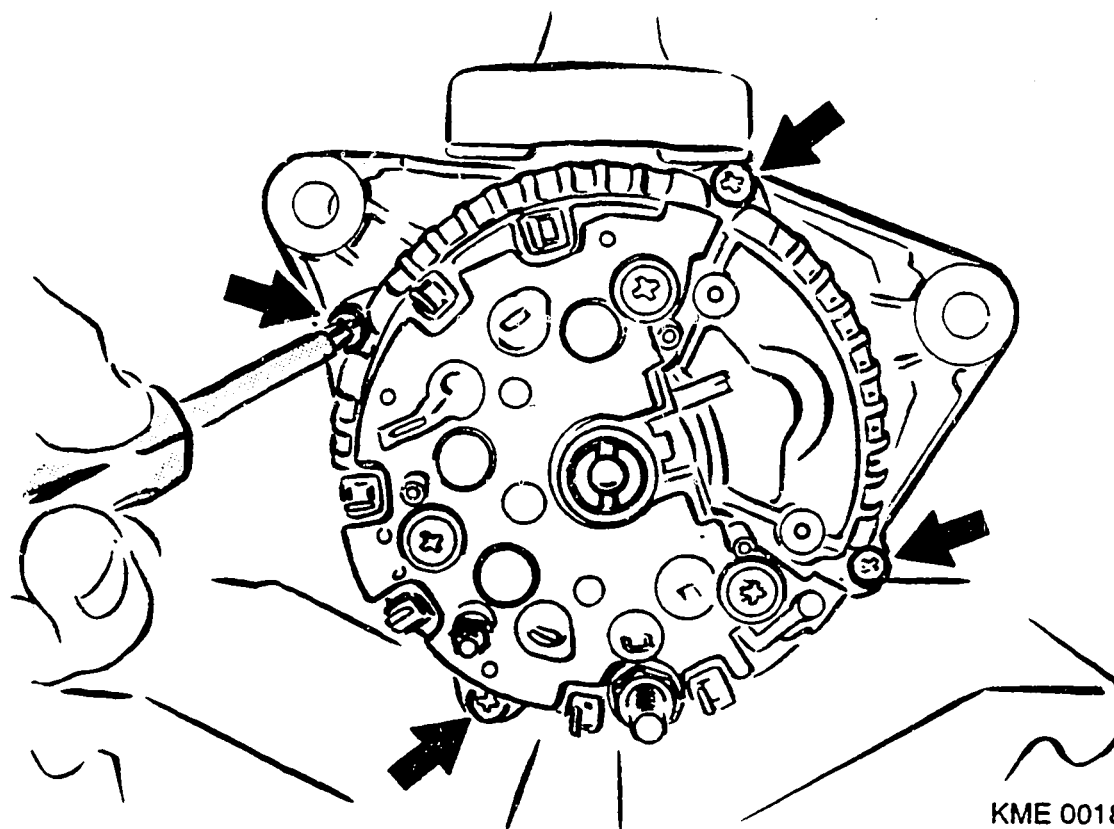
## ALTERNATOR ASSEMBLY

Insert four feeler gauges (offset by 90 degrees) between stator and rotor (if appropriate from drive end shield). Leaf thickness 0.2 mm.

Start 4 fastening screws (picture, arrows) with screwdriver, then tighten diagonally with

Tightening torque: 4,1...5,5 Nm

Continue: B20/1 Fig.: B19/2



KME 00183

## ALTERNATOR ASSEMBLY

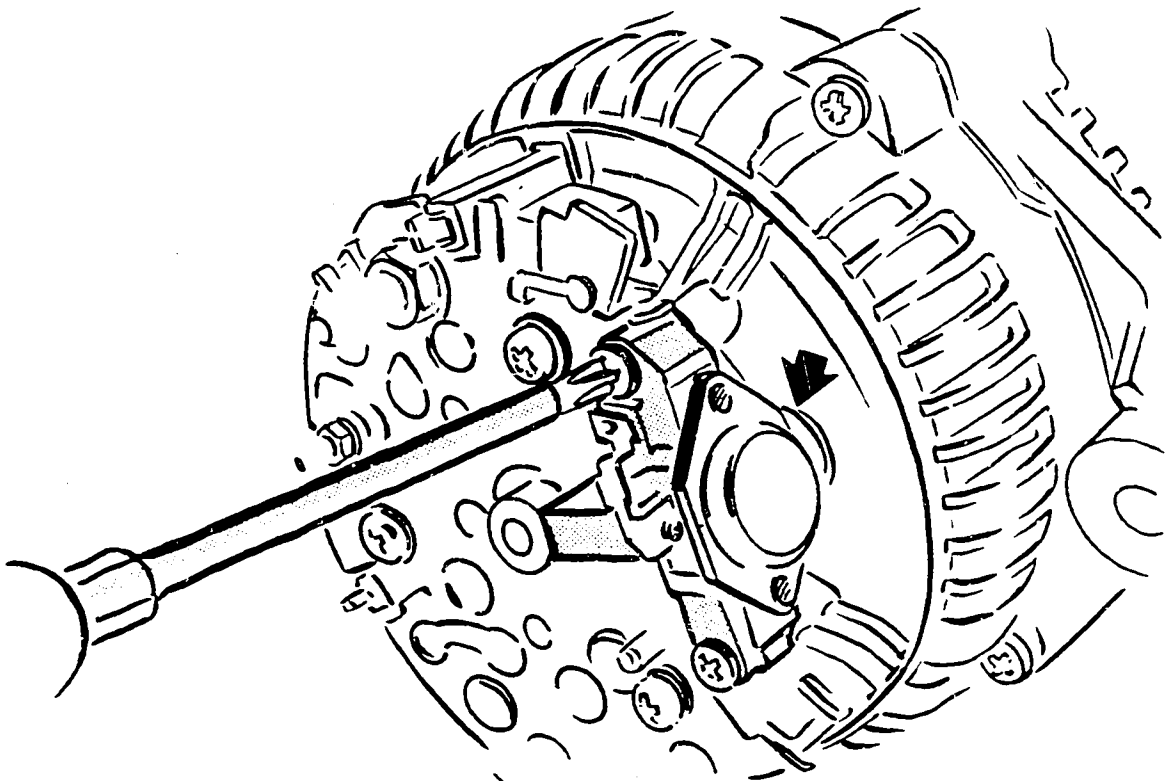
### Regulator installation:

Clip regulator into position in brackets provided on rectifier and screw it on.

Tightening torque: 1,6...2,3 Nm

Arrow = electronic regulator with carbon-brush holder

Continue: B21/1 Fig.: B20/2



KME 00184



# ALTERNATOR ASSEMBLY

## Protective-cap attachment:

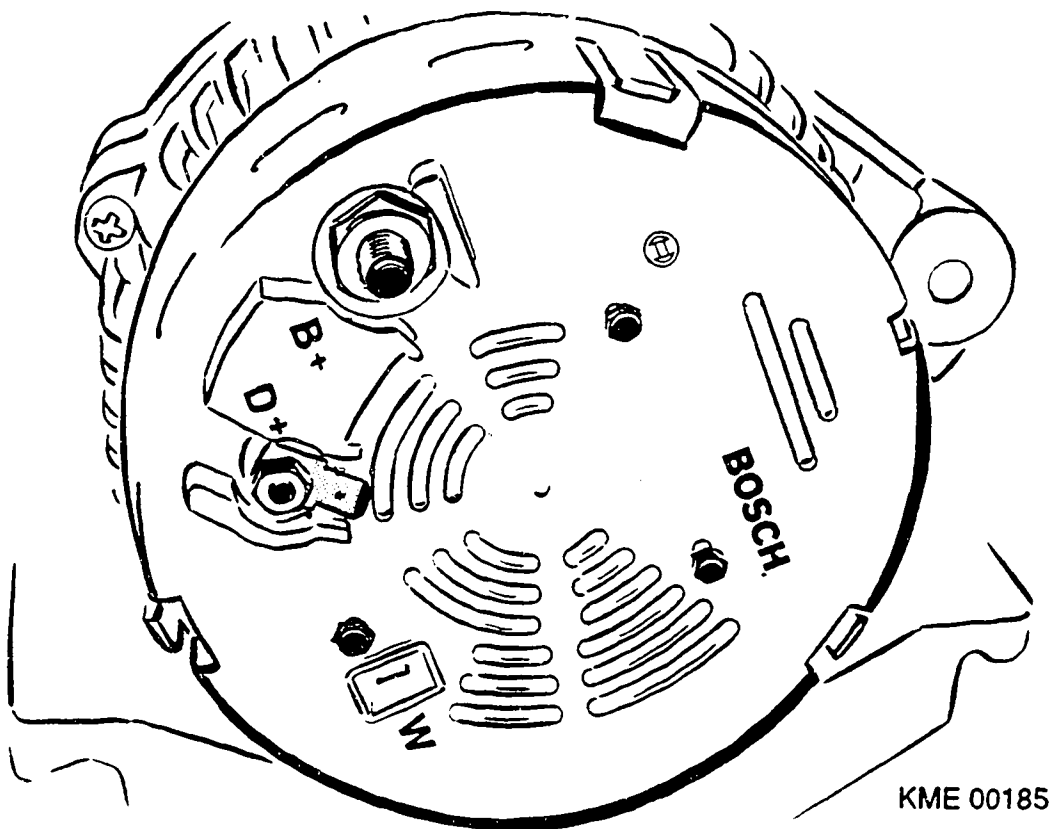
Position protective cap over rectifier and clip it in. Additionally secure protective cap with three screws.

Tightening torque: tighten with screwdriver until head of screw makes contact.

Secure B+ and D+ studs.

Tightening torque D+ : 1,8... 2,5 Nm  
B+ : 13 ...16 Nm

Continue: B22/1 Fig.: B21/2



KME 00185

## ALTERNATOR ASSEMBLY

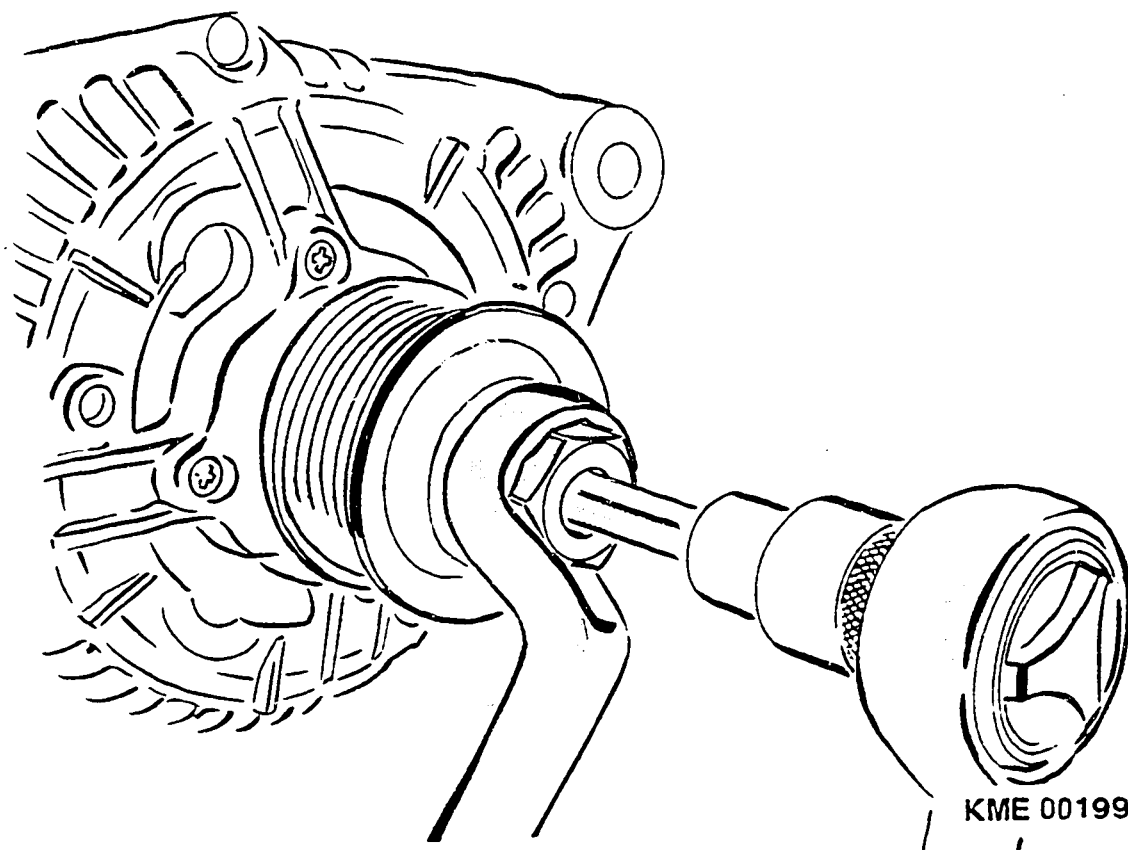
### Pulley attachment:

Attach pulley to rotor shaft.

Hold rotor with bit for screws with internal serrations M 10 x 100.  
Attach socket wrench KDLJ 6030 or KDLI 6031 to fastening nut and tighten pulley with 22 mm box wrench.

Tightening torque:       45...55 Nm  
                                  or 75...85 Nm

Continue: B23/1 Fig.: B22/2



TESTING ALTERNATOR WITH REGULATOR ON  
TEST BENCH

Testers and devices:

Alternator test bench

	EFLJ 91	0 683 300 100
or	EFLJ 25..	0 680 110 ..
or	EFLJ 70 A	0 680 104 ..

or combination test bench

(only for loading up to max. 43 A)  
EFAW 275.. 0 681 107 ..

Continue: B23/2

TESTING ALTERNATOR WITH REGULATOR ON  
TEST BENCH

Testers and devices:

Mounting plate

EFLJ 66/3

for clamping alternators with hinge  
mounting onto alternator test bench

EFLJ 25, 70

Parts set 1 687 000 042

for clamping alternators with hinge  
mounting onto combination test bench

EFAW 275 ..

Continue: B24/1

TESTING ALTERNATOR WITH REGULATOR ON  
TEST BENCH

Testers and devices:

Alternator

Tester           WPG 012.00      0 681 101 403

For additional check or test:

Ignition oscilloscope (all versions)

or

Bosch engine tester (all versions)

Continue: B24/2

TESTING ALTERNATOR WITH REGULATOR  
ON TEST BENCH

Clamp alternator into position on test  
bench:

Alternators with swivel arm or flange  
mount are only to be clamped on using  
the appropriate clamping fixture.

To ensure power output of test-bench  
engine is sufficient, only perform  
tests with suitable fan pulley.

Be sure to select correct transmission  
ratio.

Continue: B25/1

## CHECKING ALTERNATOR WITH REGULATOR ON TEST BENCH

Transmission ratio 0.3 : 1 applies to test bench EFLJ 25.

This means that in the case of an alternator pulley with 100 mm diameter for example to be made of a test-bench pulley with a diameter of 350 mm.

Transmission ratio 0.4 : 1 applies to test bench EFLJ 70A.

This means that in the event of an alternator pulley with a diameter of 100 mm for example the test-bench pulley to be used must have a diameter of 250 mm.

Continue: B25/2

## TESTING ALTERNATOR WITH REGULATOR ON TEST BENCH

Clamp alternator in position on test bench:

N o t e :

If, in the event of extremely high alternator power, the drive power of the test bench engine is not sufficient, then only perform test to the extent that the test speed does not drop off at the required test current.

The charge indicator lamp must be completely off during the power-output test.

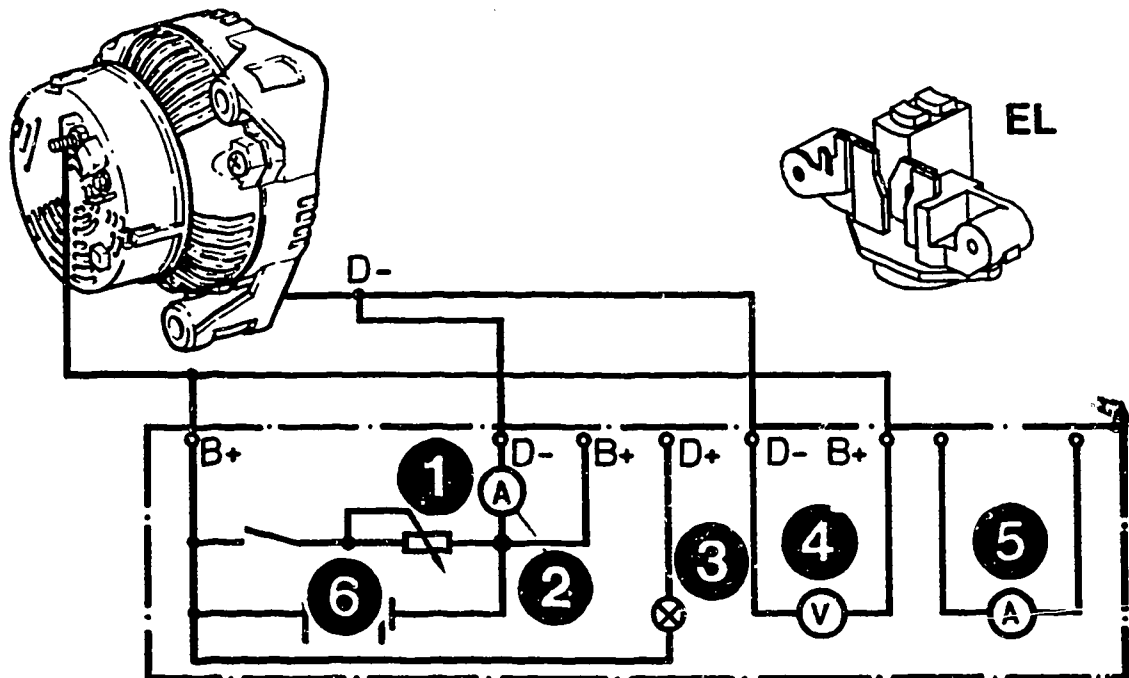
Continue: B26/1

# CHECKING ALTERNATOR WITH REGULATOR ON TEST BENCH

Terminal diagram for EL regulator  
1 197 311 ..

- 1 = Load resistance
- 2 = Amp tester
- 3 = Indicator lamp
- 4 = Voltage tester  
(regulated voltage)
- 5 = Amp tester
- 6 = Test bench battery

Continue: B27/1 Fig.: B26/2



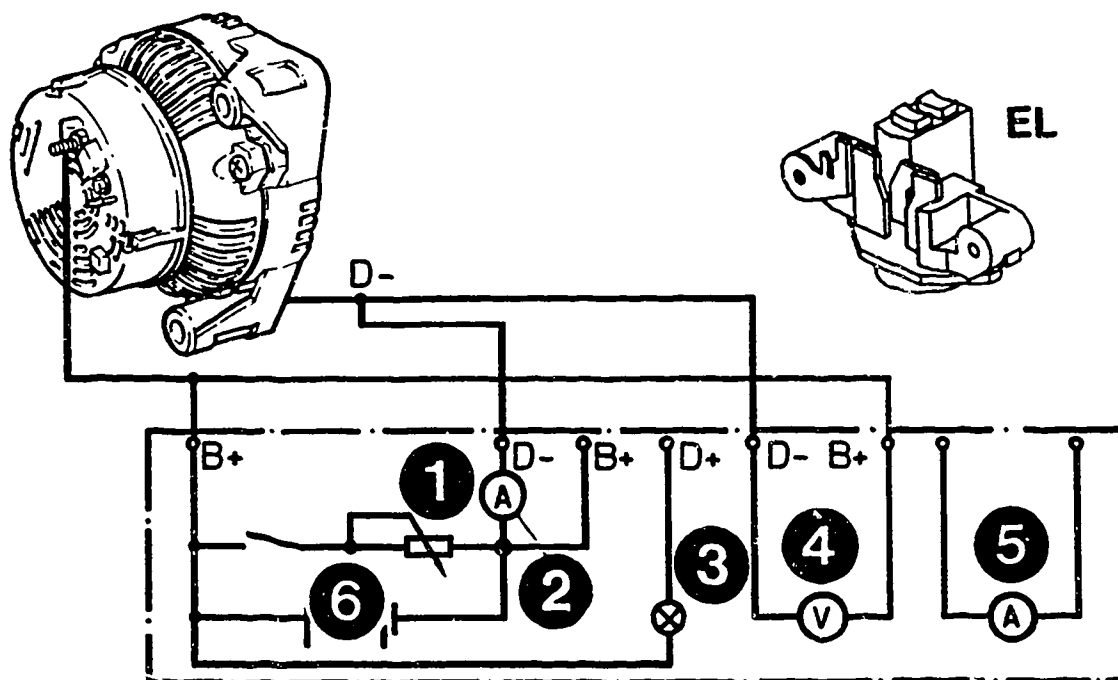
KME 00186

# TESTING ALTERNATOR WITH REGULATOR ON TEST BENCH

Connection of alternator to test bench:  
Connect battery positive lead of test bench to B+ of alternator.

If clamping table on test bench is used as ground lead, make sure that no contact resistances are produced. In the case of high-power alternators, it is advantageous to connect the battery negative lead of the test bench directly to the alternator. Connect up voltage tester between B+ and B-.

Continue: B28/1 Fig.: B27/2



KME 00186

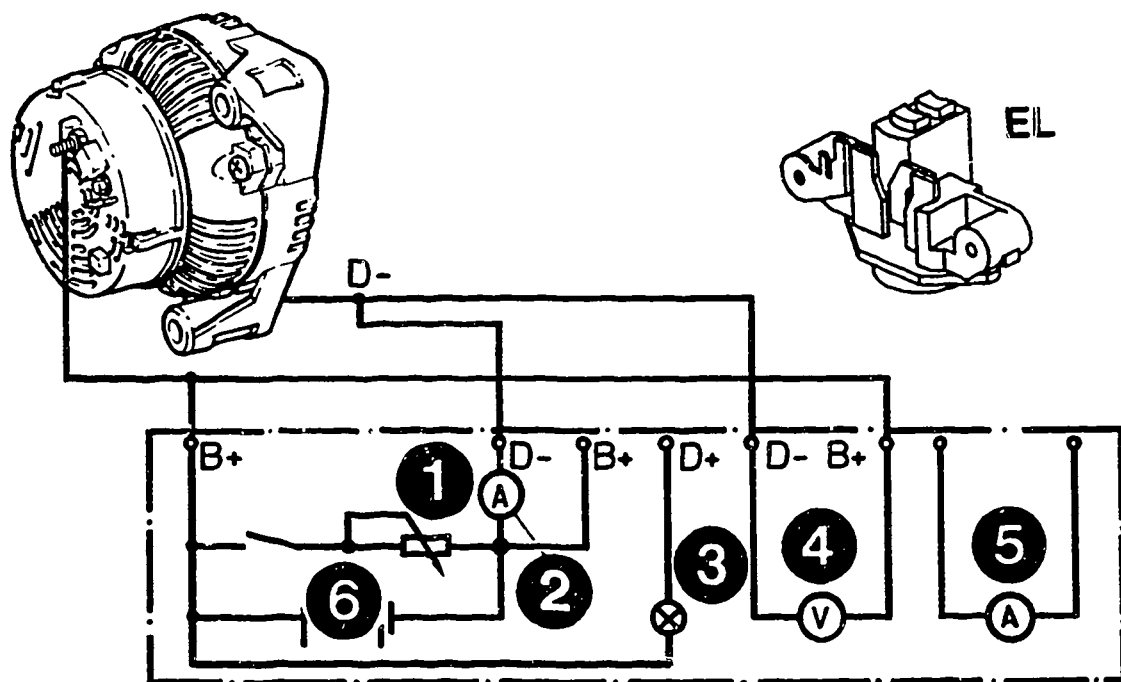
# CHECKING ALTERNATOR WITH REGULATOR ON TEST BENCH

Pay particular attention to the following:

All test-bench connections must be properly made. Never loosen connection between alternator and battery with alternator running, as this could destroy the semiconductors in the alternator and regulator.

If a direction of rotation is indicated on the alternator, then this is the only direction in which the alternator may be operated.

Continue: C01/1 Fig.: B28/2



KME 00186



TESTING ALTERNATOR WITH REGULATOR  
ON TEST BENCH

Power-output test with regulator:

N o t e :

When performing power-output test, ensure that current-limiting resistor installed in test bench is not switched into circuit, as otherwise the charge indicator lamp glows and simulates a fault in the alternator.

Keep the alternator voltage of 13 V constant by varying the load current  $I_L$ .

Continue: C01/2

CHECKING ALTERNATOR WITH REGULATOR  
ON TEST BENCH

Performance test with regulator:

Type	Speed (min <sup>-1</sup> )	Load (A)
KC→14V40-70A	1 800	40
	6 000	70
KC→14V40/80A	1 800	40
	6 000	80
KC→14V45/80A	1 800	45
	6 000	80

Continue: C02/1

## PERFORMANCE TEST (CONTINUED)

Performance test with regulator:

Type	Speed (min-1)	Load (A)
KC->14V45-85A	1 800	40
	6 000	70
KC->14V45/90A	1 800	40
	6 000	80
KC->14V50/90A	1 800	45
	6 000	80

Continue: C02/2

## CHECKING ALTERNATOR WITH REGULATOR ON TEST BENCH

Performance test with regulator:

I m p o r t a n t:

Pay attention to accident prevention regulations!

Following completion of testing, allow alternator (if possible) to run at approx. 10 000 min-1.

Continue: C03/1

CHECKING ALTERNATOR WITH REGULATOR  
ON TEST BENCH

Regulated-voltage test:

Operate alternator at speed of  
6000 min<sup>-1</sup>. Check whether prescribed  
regulated voltage is obtained.

Load current less than/equal to 10A

Regulator part no.	Regulated voltage (V)
1 197 311 ..	
..211, ..212,	14.1-14.9

Continue: C04/1

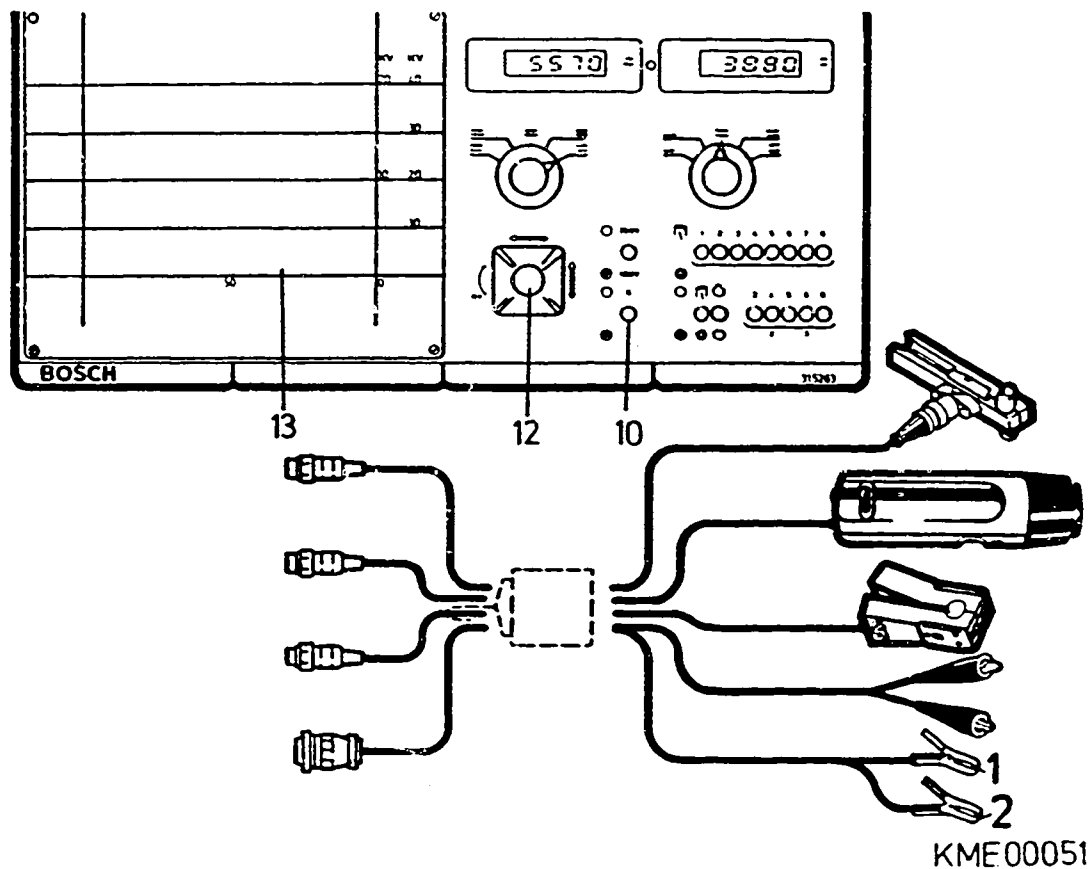
# TESTING WITH OSCILLOSCOPE

Connect oscilloscope (MOT 002.00) to alternator by way of appropriate test lead.

Red terminal (1) to D+ connection.

Black terminal (2) to B- connection (ground).

Continue: C05/1 Fig.: C04/2



# SETTING AND EVALUATING OSCILLOGRAM

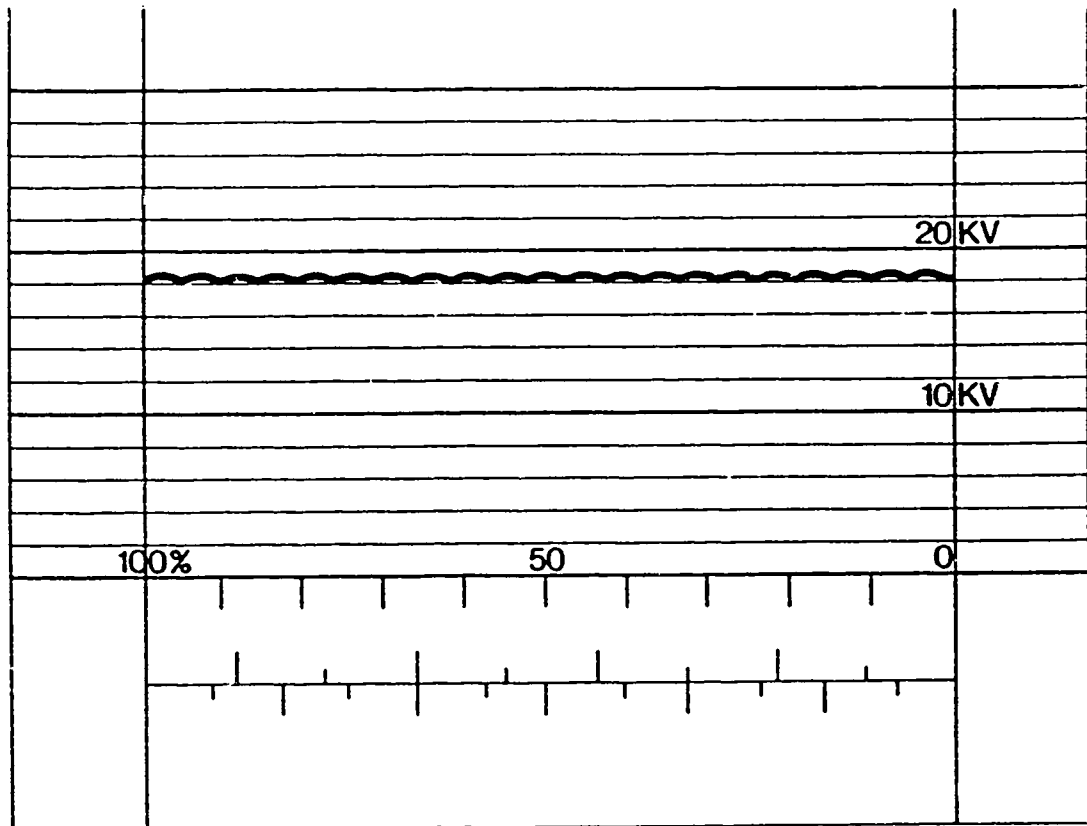
This is the image shown by an alternator which is in perfect working condition.

The D.C. voltage supplied has a low harmonic content.

Small spikes may be superimposed on the oscillogram indicated if the alternator regulator is in operation.

The regulator can be shut down by connecting up a load (e.g. load resistor).

Continue: C06/1 Fig.: C05/2



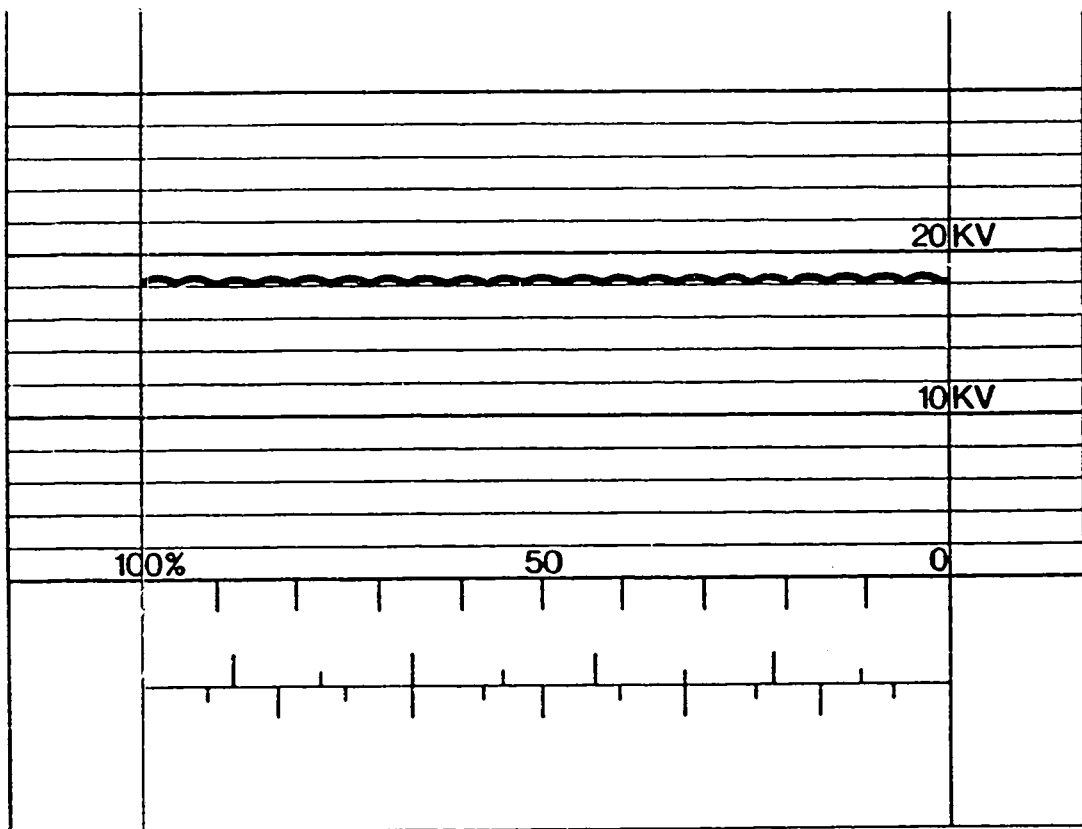
KME00052

# SETTING AND EVALUATING OSCILLOGRAM

In order to be able to compare such images, the respective image is to be adjusted at the oscilloscope vertical control such that it approximately fits in between the 10 and 20 kV division.

N o t e : Several faults can occur together.

Continue: C07/1 Fig.: C06/2

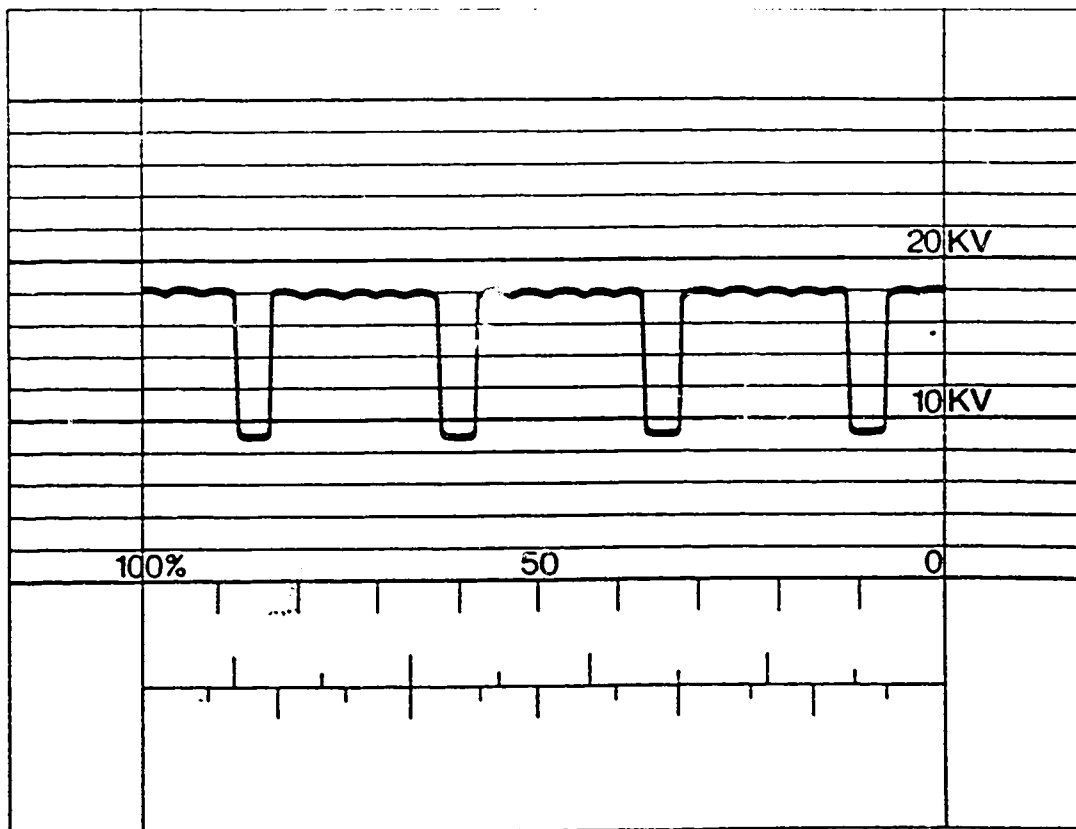


KME00052

# SETTING AND EVALUATING OSCILLOGRAM

Oscillogram shows open-circuit in exciter diode.

Continue: C08/1 Fig.: C07/2



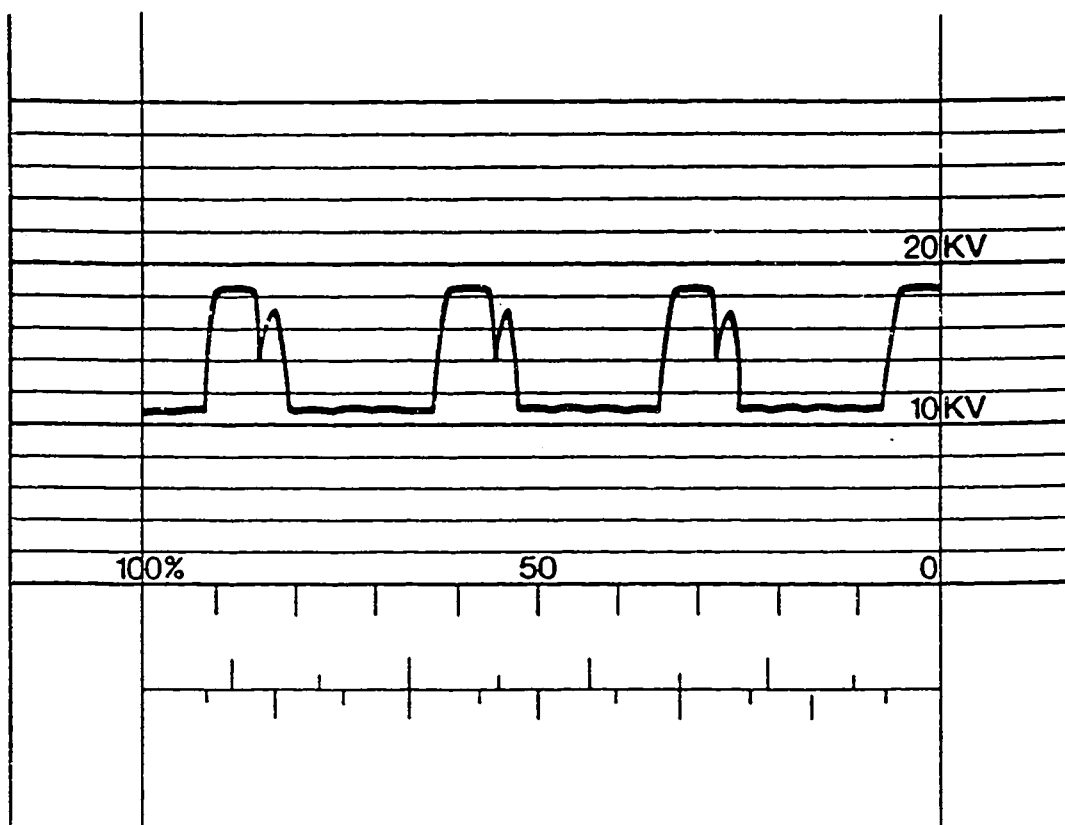
KME00053

# SETTING AND EVALUATING OSCILLOGRAM

Oscillogram shows open-circuit in positive diode.

If several diodes are connected in parallel on an alternator, this oscillogram appears only if there is an open-circuit in all diodes.

Continue: C09/1 Fig.: C08/2



KME00054

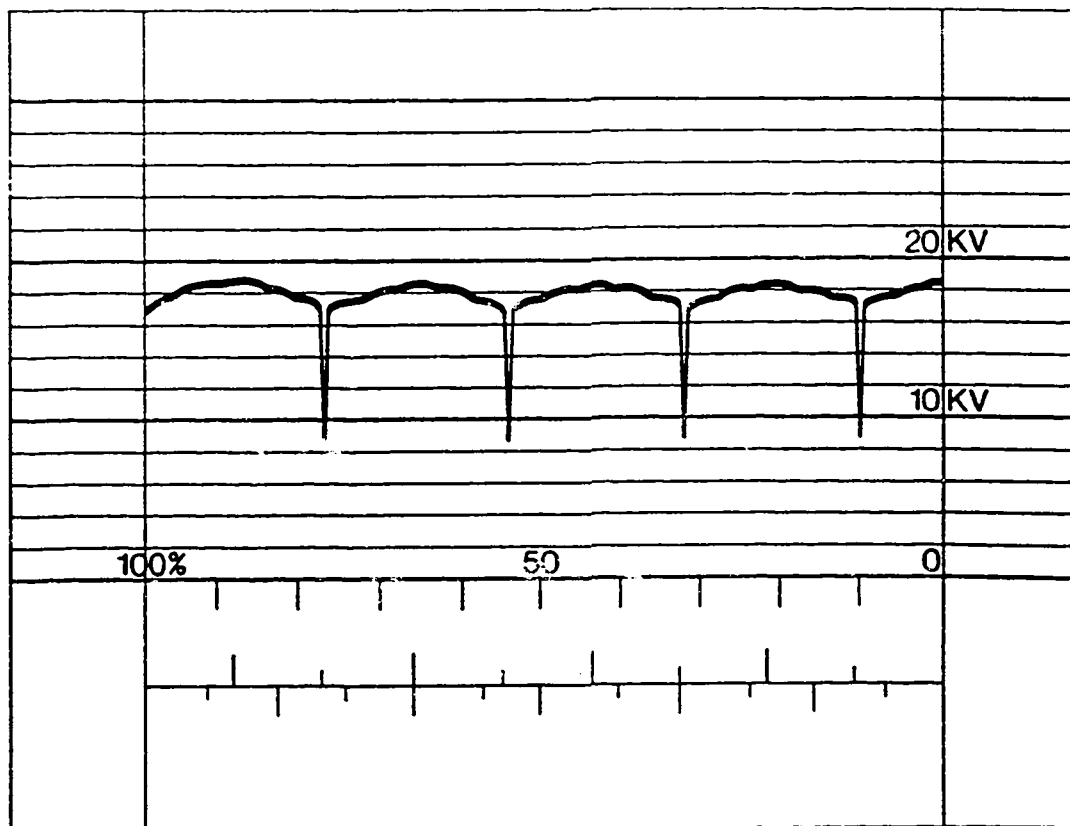


# SETTING AND EVALUATING OSCILLOGRAM

Oscillogram shows open-circuit in negative diode.

If several diodes are connected in parallel on an alternator, this oscillogram appears only if there is an open-circuit in all diodes.

Continue: C10/1 Fig.: C09/2

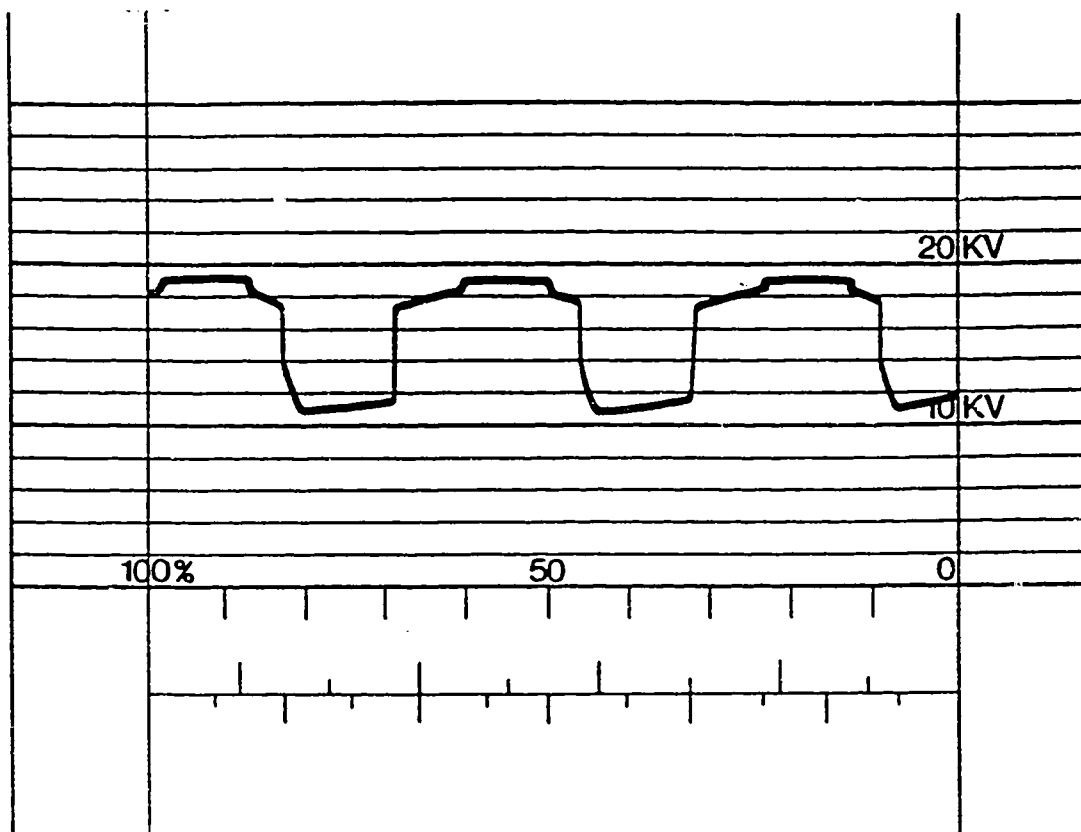


KME00055

# SETTING AND EVALUATING OSCILLOGRAM

Oscillogram shows short-circuit in exciter diode.

Continue: C11/1 Fig.: C10/2

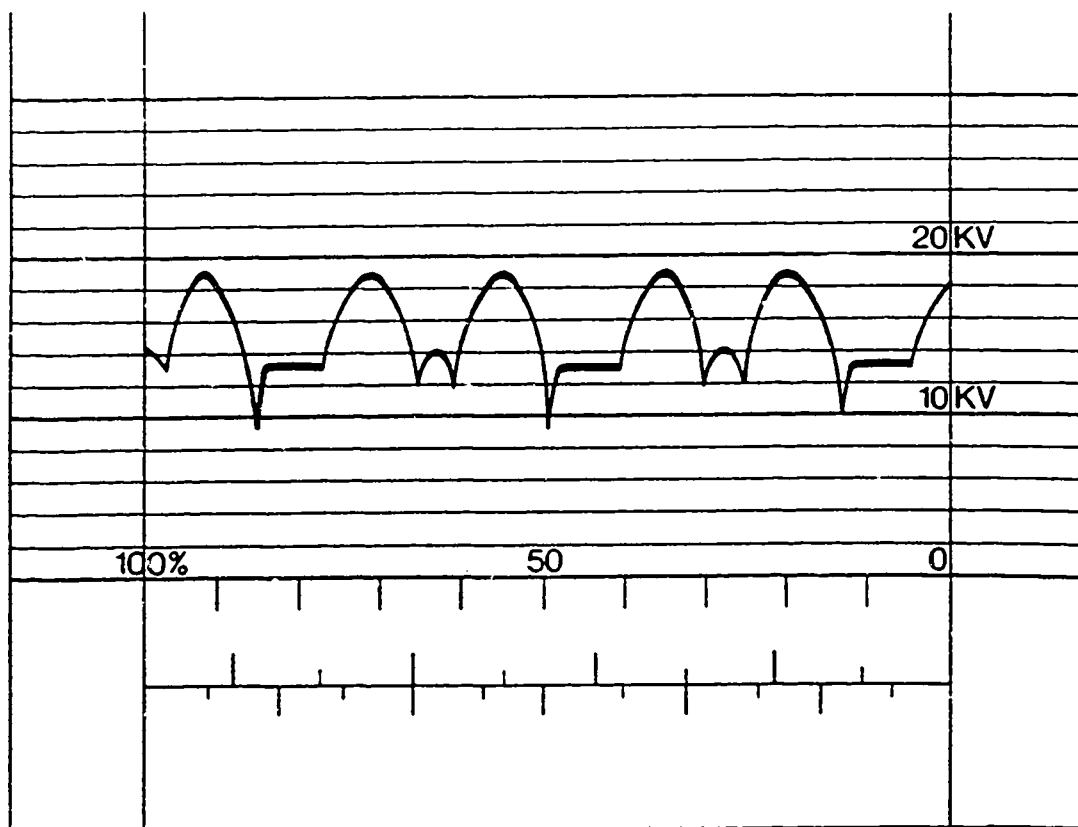


KME00056

# SETTING AND EVALUATING OSCILLOGRAM

Oscillogram shows short-circuit in one or more positive diodes.

Continue: C12/1 Fig.: C11/2

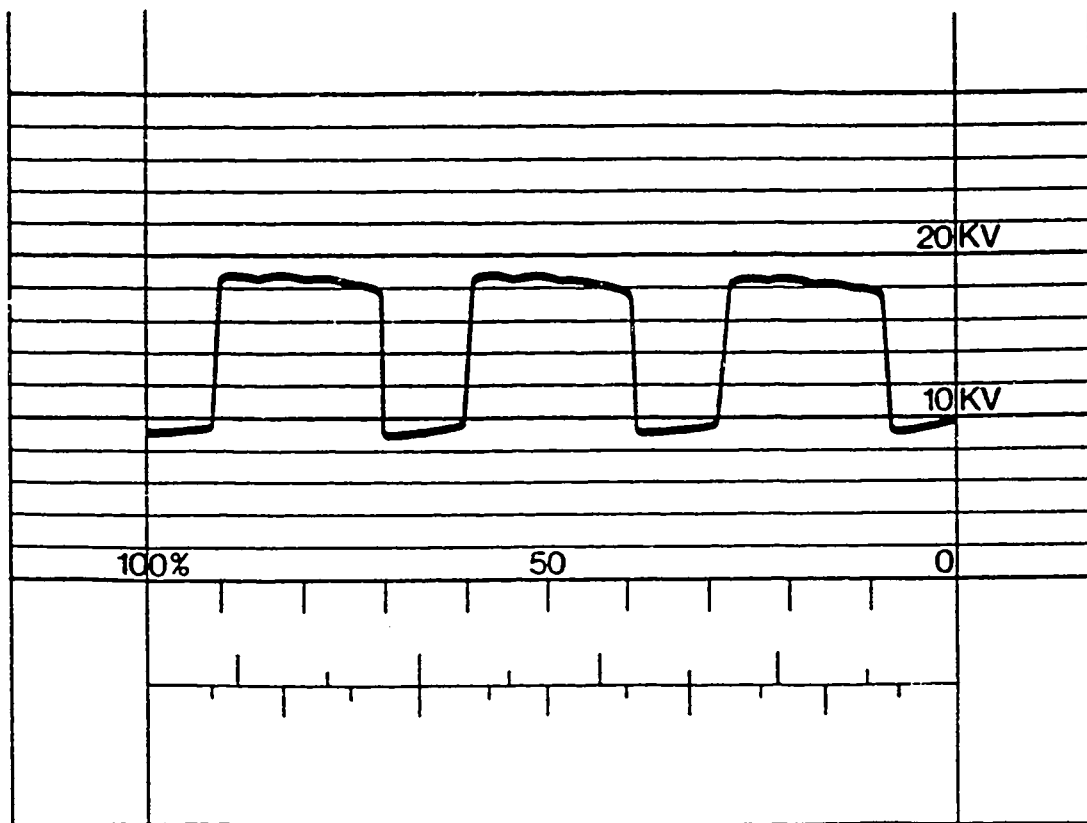


KME00057

# SETTING AND EVALUATING OSCILLOGRAM

Oscillogram shows short-circuit in one or more negative diodes.

Continue: C13/1 Fig.: C12/2

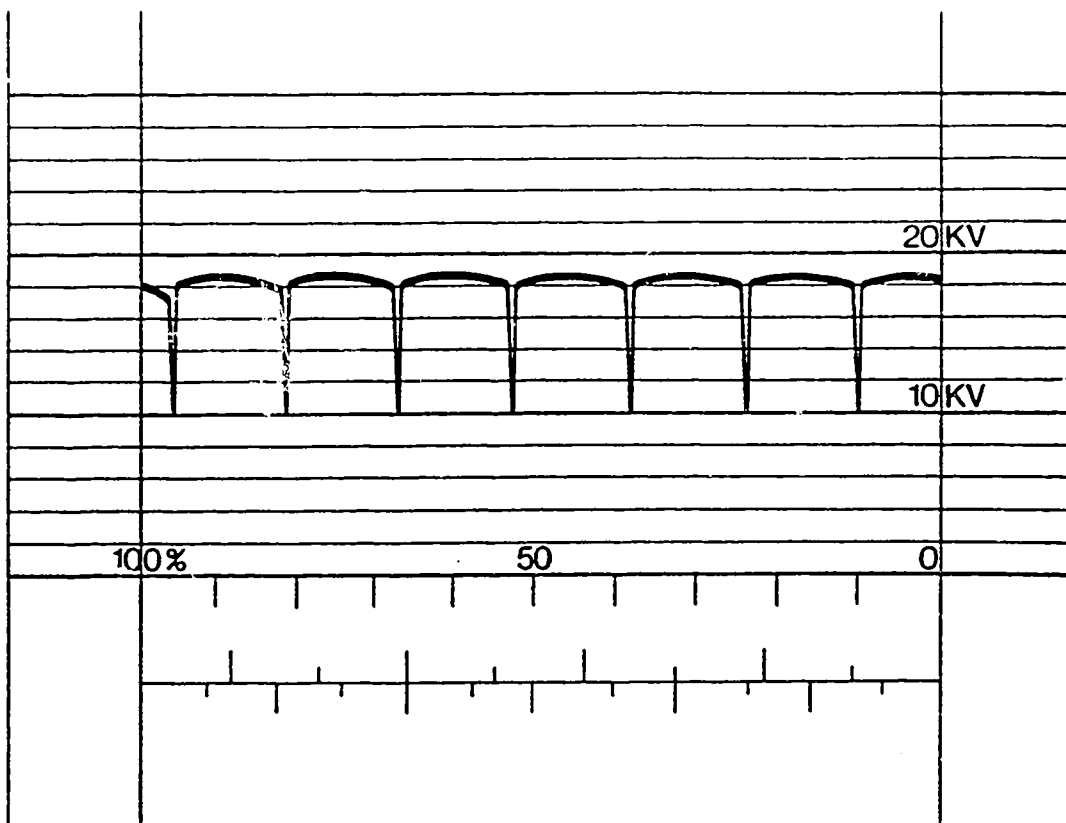


KME00058

# SETTING AND EVALUATING OSCILLOGRAM

Oscillogram shows phase error  
(open-circuit).

Continue: C14/1 Fig.: C13/1



KME00059

# INDEX

Collector rings	A26
Cover plate	B13
Deep-groove ball bearing	A09, A10
Fitting ring	B15
Protective cap	A23, B21
Rectifier	B02, B16
Regulator	A24, B20
Rotor	B08
Stator	B04, B07, B17
Suppression capacitor	A03

Continue: N26/1

## TABLE OF CONTENTS

Structure of this microcard	A01/1
Description of trouble- shooting	A02/1
Special features	A03/1
Test specifications, electrical	A04/1
Test specifications, mechanical	A08/1
Diagram(s)	A11/1

Continue: N26/2

## TABLE OF CONTENTS

General	A15/1
Testers, tools and adhesives	A17/1
Exploded view(s)	A21/1
Disassembly of alternator and testing of parts	A23/1
Cleaning of parts	B12/1
Alternator assembly	B13/1

Continue: N27/1

# TABLE OF CONTENTS

Testing alternator with regulator on test bench	B23/1
Testing with oscilloscope	C04/1
Index	N25/1

Continue: N28/1



EDITORIAL NOTE

Copyright 1991 ROBERT BOSCH GmbH  
Automotive-Equipment After-Sales  
Service  
Technical Publications Department  
KH/VDT,  
Postfach 10 60 50, D-7000 Stuttgart 10

Published by:  
After-Sales Service Department for  
Training and  
Technology (KH/VSK).  
Time of going to press 04.1991.  
Please direct questions and comments  
concerning the contents to our  
authorized representative in your  
country.

Continue: N28/2

EDITORIAL NOTE

The contents of this microcard are  
intended only for the Bosch Franchised  
After-Sales Organization. Passing on  
to third parties is not permitted.

Microfilmed in the Federal Republic of  
Germany.

Microphotographié en République  
Fédérale d'Allemagne.